

**Product range**

Telescopic Stair Landing Connectors

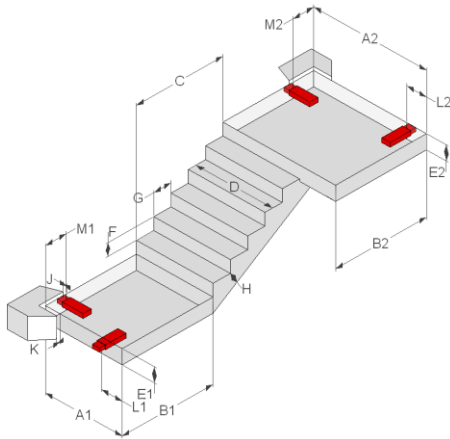
**Product options**

TSS41, TSS101, TSS102, RVK101 plus REDiBOX® Permanent Recess Former (STD)

**Layout option 5**

Integral flight and two landings with connectors on sides and ends

**Key to dimensions**



For alternative layouts, go to [invisibleconnections.co.uk](http://invisibleconnections.co.uk) or call us for advice

**Invisible Connections Ltd**  
 Unit 6, Thame Forty  
 Jane Morbey Road  
 Thame, Oxfordshire OX9 3RR  
 +44 (0)1844 266000  
[sales@invisibleconnections.co.uk](mailto:sales@invisibleconnections.co.uk)  
[invisibleconnections.co.uk](http://invisibleconnections.co.uk)

# Technical Enquiry Form

## Telescopic Stair Landing Connectors Layout Option 5

Please provide below the contact information, project details, dimensions and load data.

**Contact and project details**

Contact name .....

Company .....

Telephone .....

Email .....

Project name .....

Project location .....

Main contractor .....

Precaster .....

Stair core reference .....

Drawing number(s) .....

Walls start date (estimate) .....

Stairs start date (estimate) .....

**Dimensions**

See A-M on image to left. Please enter dimensions in mm.

A1 Landing length ..... G Going .....

A2 Landing length ..... H Waist .....

B1 Landing width ..... J Air gap (sides) .....

B2 Landing width ..... K Air gap (rear) .....

C Flight length ..... L1 Connector position .....

D Flight width ..... L2 Connector position .....

E1 Landing thickness ..... M1 Connector position .....

E2 Landing thickness ..... M2 Connector position .....

F Rise .....

**Load data**

*(Examples)*

Finishes on landing ..... *(0.5kN/sqm)*

Finishes on flight ..... *(0.2kN/sqm)*

Live load ..... *(4kN/sqm)*

Using the above information we will conduct an initial assessment of the application and advise suitable product selection, supported by calculations as required.

Please email completed enquiry form and any supporting drawings to [technical@invisibleconnections.co.uk](mailto:technical@invisibleconnections.co.uk)

For technical and practical advice call +44 (0)1844 266000