

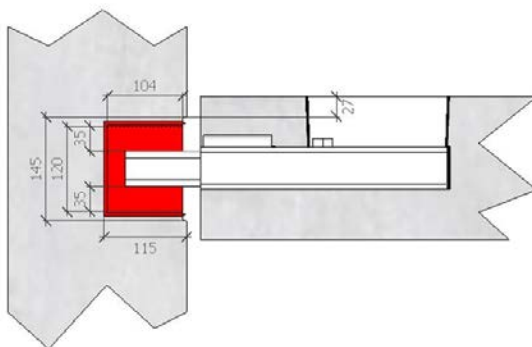
MEMO 41	Dato: 04.08.2005	Sign.: tb
TSS / RVK	Siste rev.: 13.03.2018	Sign.: jb
ADDITIONAL PRODUCTS RVK AND TSS	Dok. nr.: K3-11/9E	Kontr.: tb
PLANNING		

## ADDITIONAL PRODUCTS RVK AND TSS

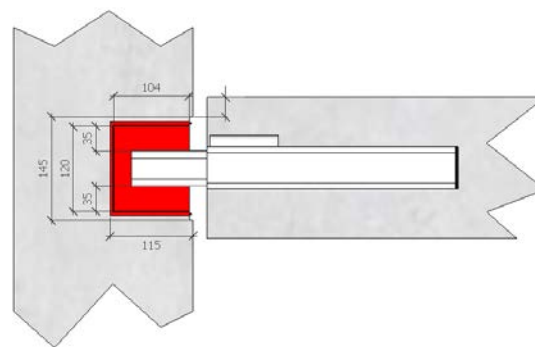
### REDiBOX

The internal dimensions of the Redibox are b 180mm - h 120mm - d 104mm

The provided recess measures approximately 180mm wide x 120mm high x 120mm deep. Setting-out in the wall should be from the top edge of the faceplate which, if an RVK101 connector is specified, should be 27mm below the top of the landing. If a TSS connector is specified, the setting-out is projectspecific, due to the variable depth of the TSS connector within the slab.



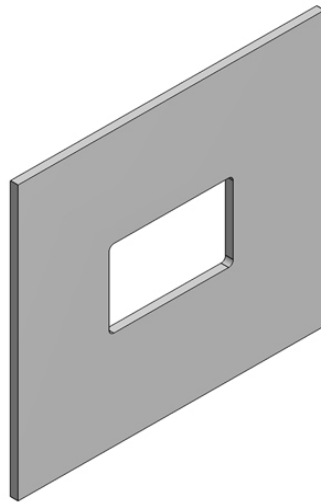
REDiBOX with RVK



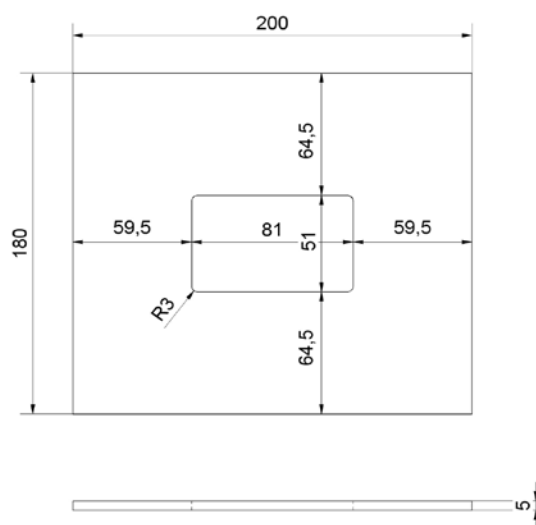
REDiBOX with TSS

### Rubber flange for RVK/TSS 41, 101 and TSS 102

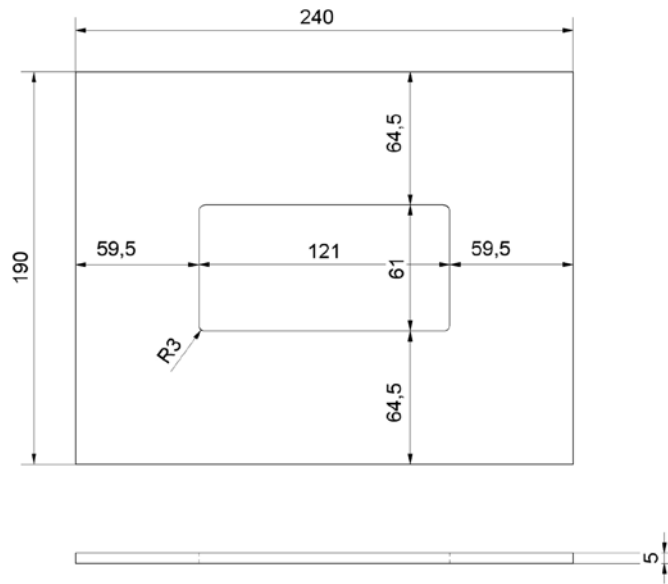
The flange is made of rubber elastomer. Hardness = 60 shore. The flange is suitable for impact sound insulation, when it is embedded in the landing.



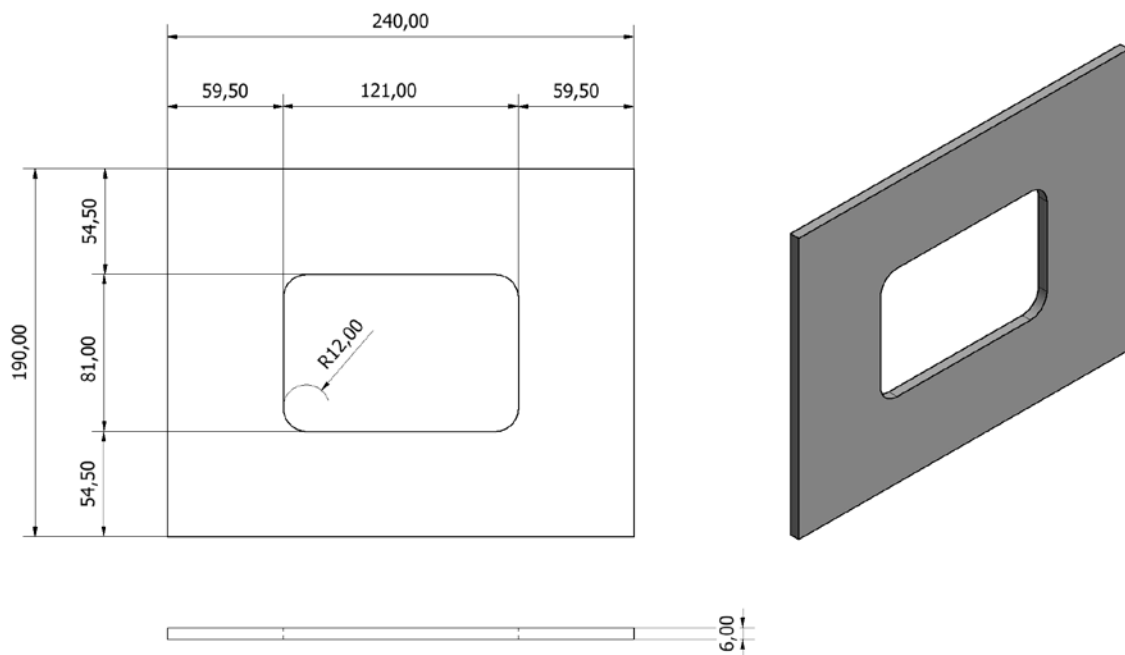
### Flange dimensions for RVK/TSS 41



**Flange dimensions for RVK/TSS 101**



**Flange dimensions for TSS 102**

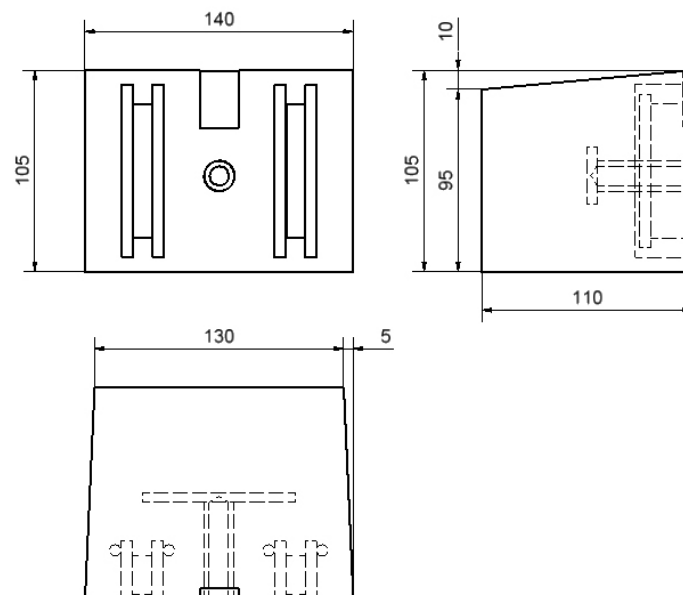


## Form box for recess for RVK/TSS 40 og 100

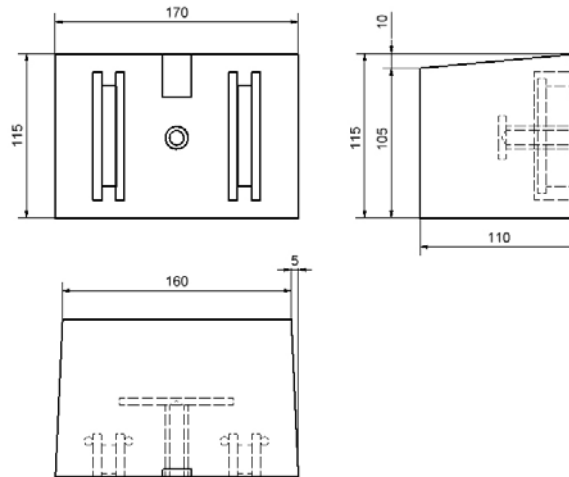
The box is made of rubber elastomers. Hardness = 60 shore.  
It can be delivered with or without magnets.  
The unit **must** be lubricated with surface retarder before casting.



## Typical dimension for the form box for RVK/TSS 41



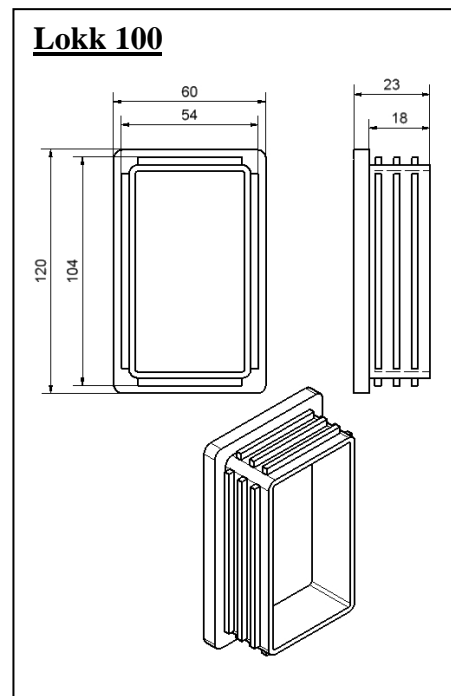
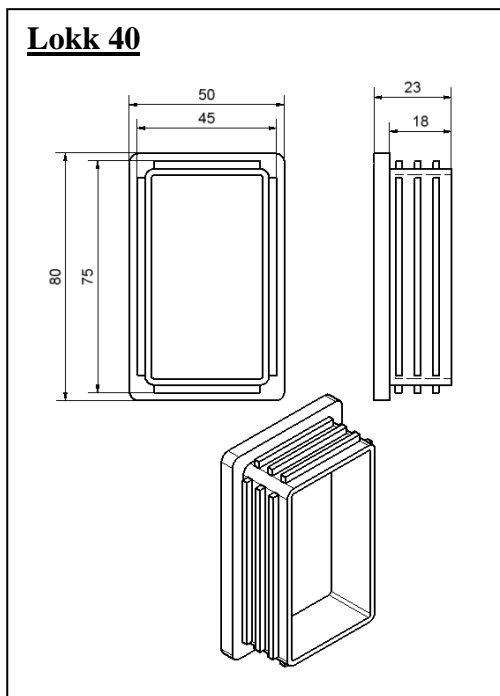
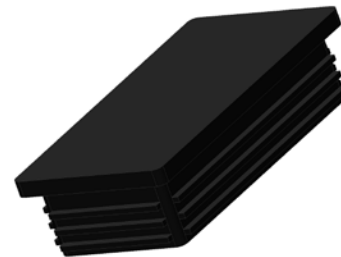
**Typical dimension for the form box for RVK/TSS 101 and 102**



**Guiding piece/ lid for TSS and RVK**

The guiding pieces are made of polyethylene PE. And can also be used as a lid for the TSS/ RVK units when they are stored outside.

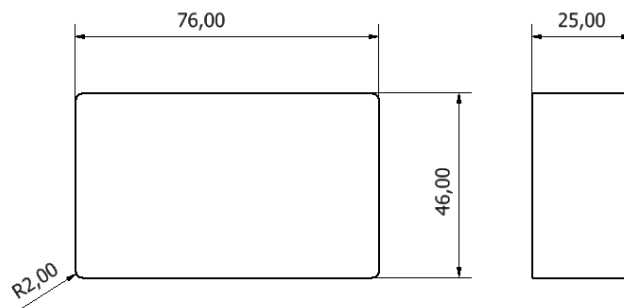
Article no.	Description
Lokk 40	Lokk 80x50x4 PE
Lokk 100	Lokk 120x60x4 PE



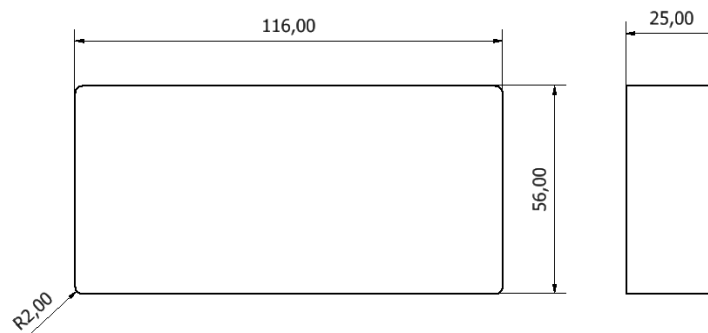
## Winter storage

This product is used to prevent water and snow entering the RVK/TSS device when the landing is stored outside, especially in winter.

The product is made of EPDM POS 300/60, this fabric is water repellent.



**Seal 40**



**Seal 100**