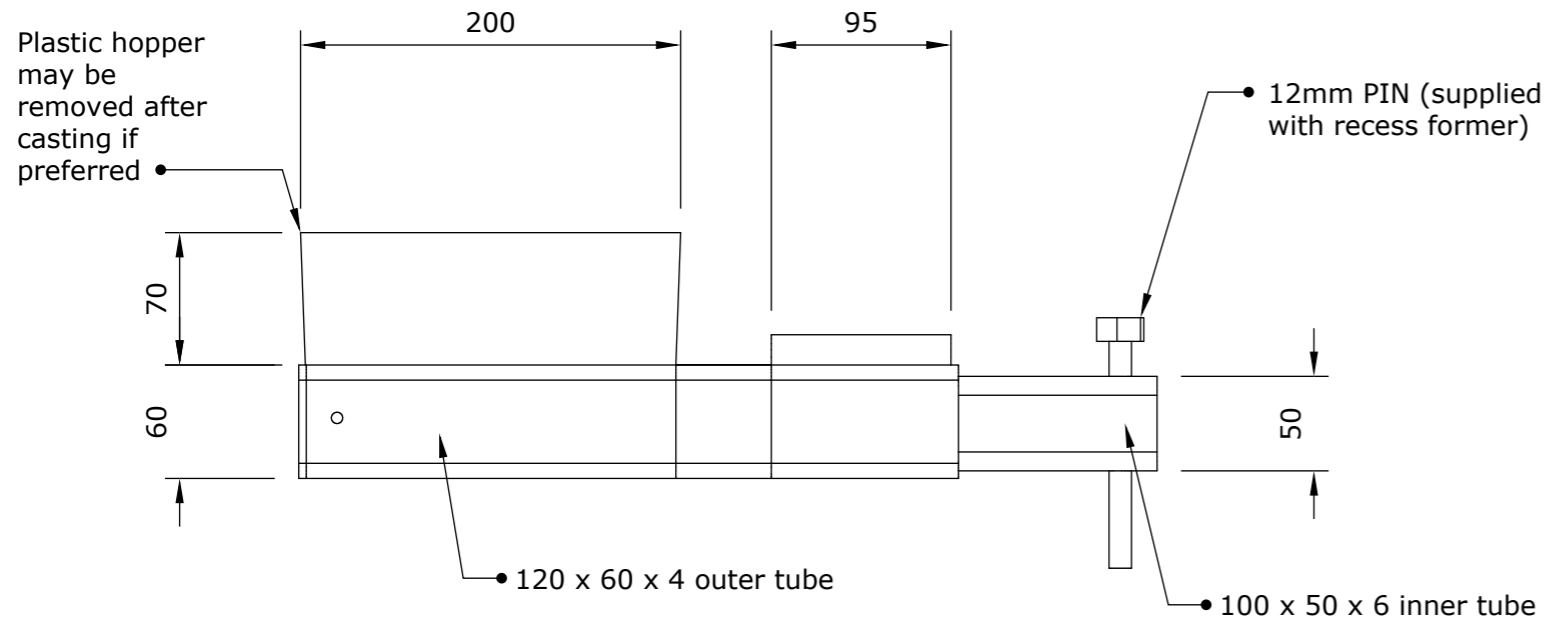
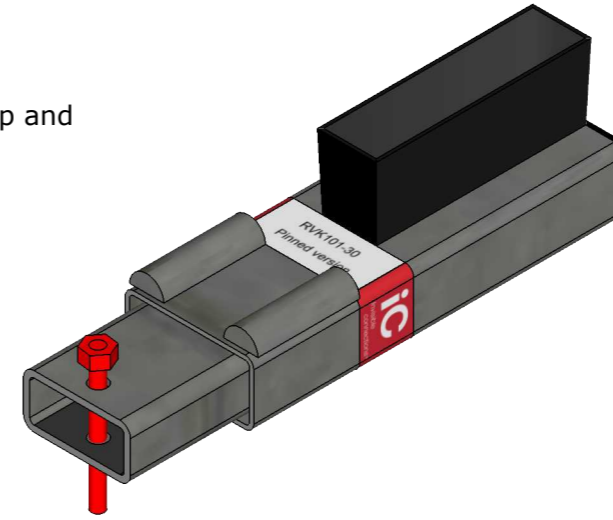
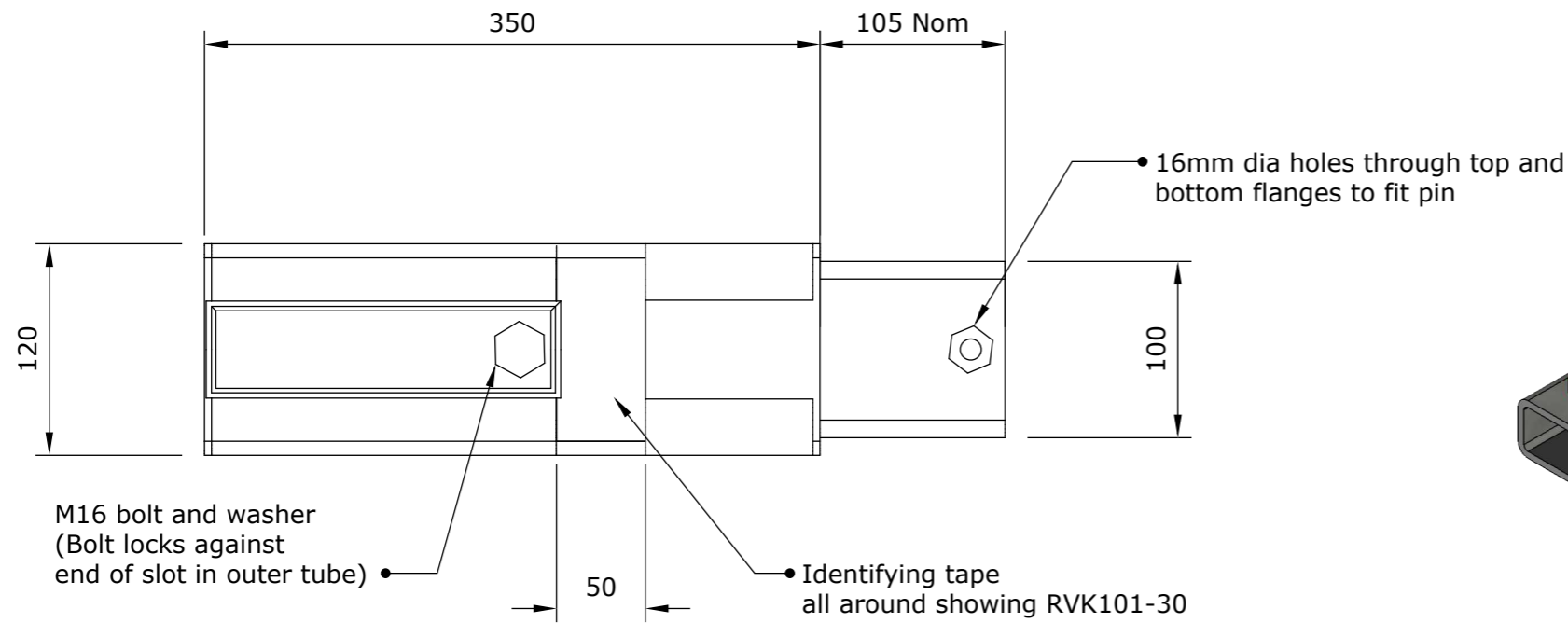


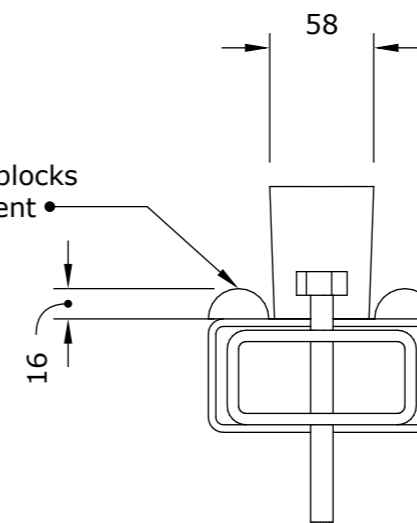
THIS DRAWING IS COPYRIGHT OF INVISIBLE CONNECTIONS LTD AND MUST NOT BE REPRODUCED WITHOUT WRITTEN PERMISSION

NOTES

- 1 - Do not scale off this drawing. If in doubt, ask.
- 2 - Steel grade S355. Available black as standard or in HDG.
- 3 - Vertical capacity of 80kN (ULS) when used in 200mm (min.) slab thickness and 250mm (min.) edge distance. Vertical capacity increases linearly up to 100kN (ULS) in a slab thickness of 265mm or greater. See Technical Memo - 55b.
- 4 - For details of local reinforcement, refer to Technical Memo 55b and Technical Memo 54b for the theory/calculations. These are downloadable from invisibleconnections.co.uk.
- 5 - For details of RVK101-30 in use with Permanent Recess former (Robustness) and reinforcement, see Standard Detail DRG No. IC/SD/SD4.
- 6 - This product can transfer axial load up to 30kN.



Half-round bearing blocks for local reinforcement



Rev.	Date	Description
B	26/09/18	Redrawn with latest model. Notes updated to suit current Technical Memos and drawings.
A	01/09/16	Redrawn with minor changes

ic Invisible Connections Ltd
 Unit 6, Thame Forty,
 Jane Morbey Road,
 Thame, Oxfordshire, OX9 3RR
 Tel: +44(0)1844 266000
 Email: sales@invisibleconnections.co.uk
www.invisibleconnections.co.uk

PROJECT
 INVISIBLE CONNECTIONS PRODUCT
 DETAILS

TITLE
 RVK101-30

Drawn By CB/MV	Approved By SF	Scale 1:4 @ A3
--------------------------	--------------------------	-------------------

DRG No. IC/PD/RVK101-30	Revision B
----------------------------	---------------