

THIS DRAWING IS COPYRIGHT OF INVISIBLE CONNECTIONS LTD AND MUST NOT BE REPRODUCED WITHOUT WRITTEN PERMISSION

NOTES

- 1 - Do not scale off this drawing. If in doubt, ask.
- 2 - Steel grade S355. Available black as standard or in HDG.
- 3 - Vertical capacity of 80kN (ULS) when used in 200mm (min.) slab thickness and 250mm (min.) edge distance. Vertical capacity increases linearly up to 100kN (ULS) in a slab thickness of 265mm or greater. See Technical Memo - 55b.
- 4 - For details of local reinforcement, refer to Technical Memo 55b and Technical Memo 54b for the theory/calculations. These are downloadable from [invisibleconnections.co.uk](http://invisibleconnections.co.uk).
- 5 - For details of RVK101 in use with REDiBOX (STD) Permanent Recess Former and reinforcement, see Standard Detail DRG No. IC/SD/SD6.
- 6 - This product cannot transfer axial load. Where this is required see IC/PD/RVK101-30.

Rev.	Date	Description
E	26/09/18	Redrawn with latest model. Notes updated to suit current Technical Memos and drawings.
D	26/08/16	Redrawn with minor changes
C	26/08/16	Recess formers removed, RVK101-30 removed
B	21/07/16	Standard and robustness recess formers added to sections as appropriate
A	08/10/14	RVK101-30 added

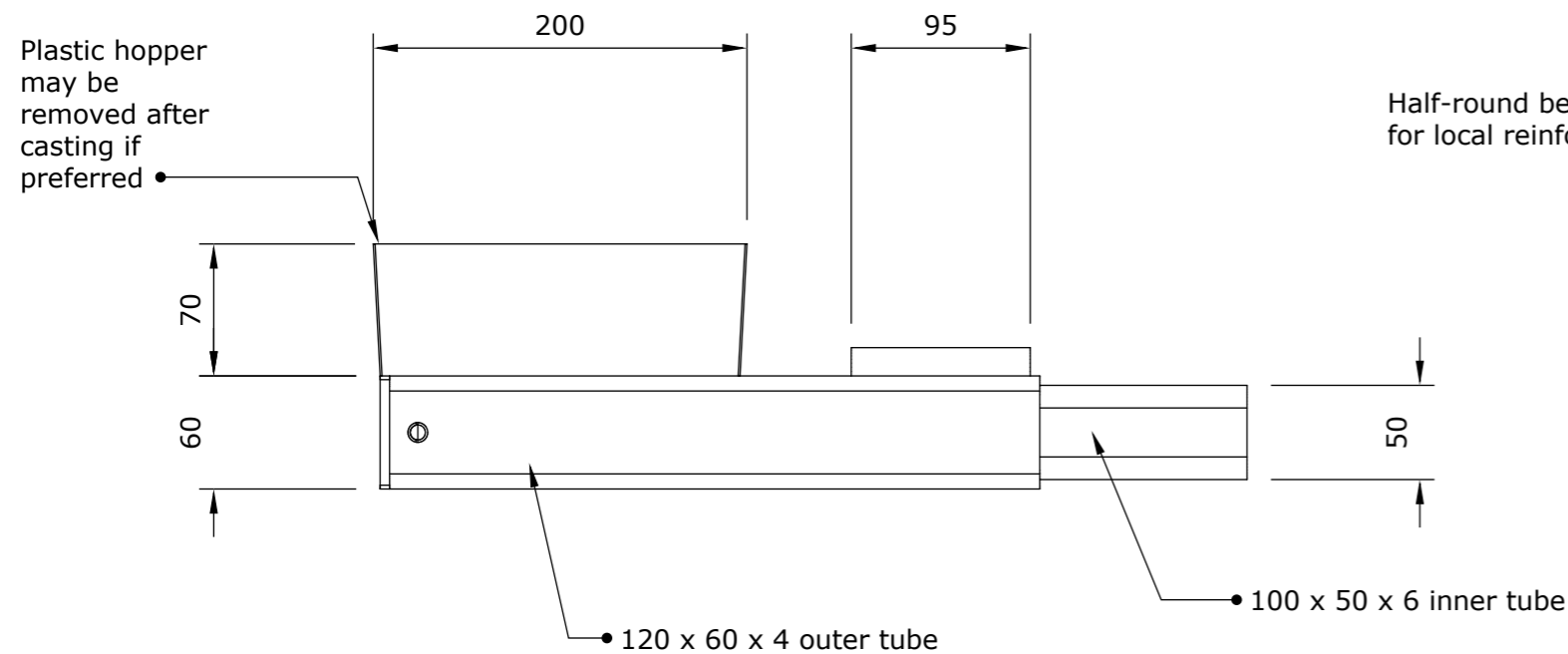
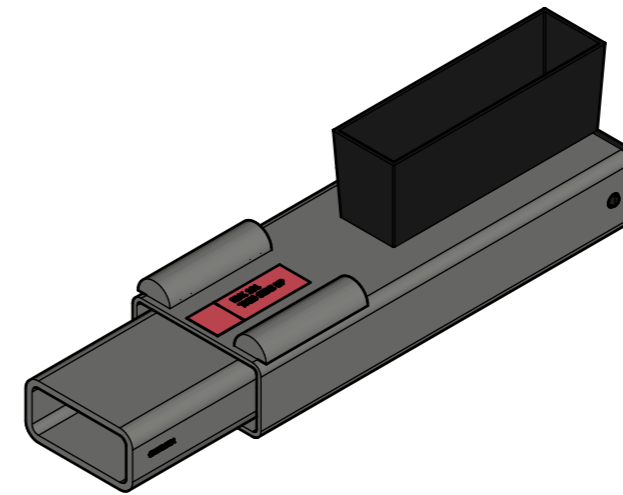
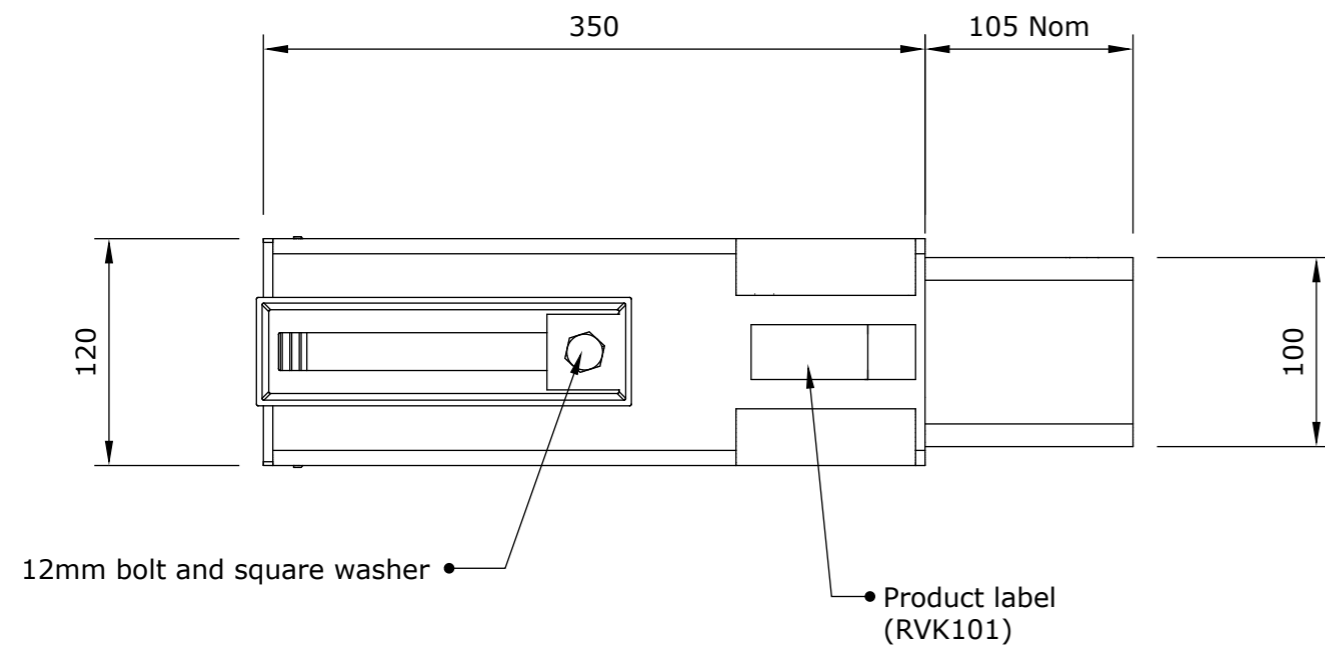
	<b>Invisible Connections Ltd</b> Unit 6, Thame Forty, Jane Morbey Road, Thame, Oxfordshire, OX9 3RR Tel: +44(0)1844 266000 Email: <a href="mailto:sales@invisibleconnections.co.uk">sales@invisibleconnections.co.uk</a> <a href="http://www.invisibleconnections.co.uk">www.invisibleconnections.co.uk</a>
---	---

PROJECT  
INVISIBLE CONNECTIONS PRODUCT DETAILS

TITLE  
RVK101

Drawn By <b>CB/MV</b>	Approved By <b>SF</b>	Scale 1:4 @ A3
--------------------------	--------------------------	-------------------

DRG No. IC/PD/RVK101	Revision E
-------------------------	---------------



Half-round bearing blocks for local reinforcement

