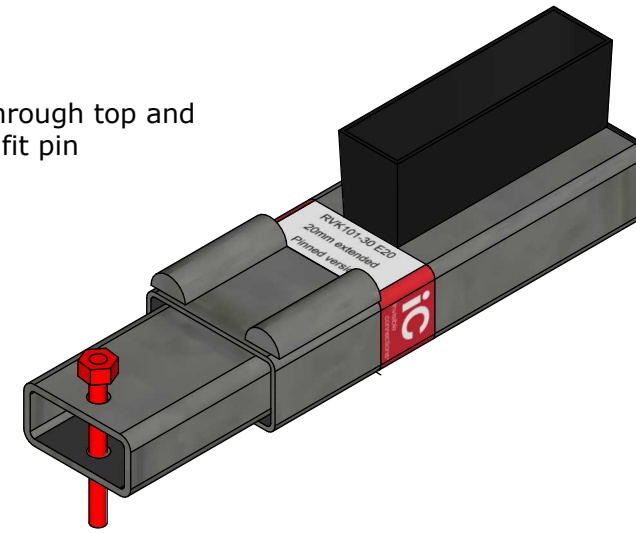
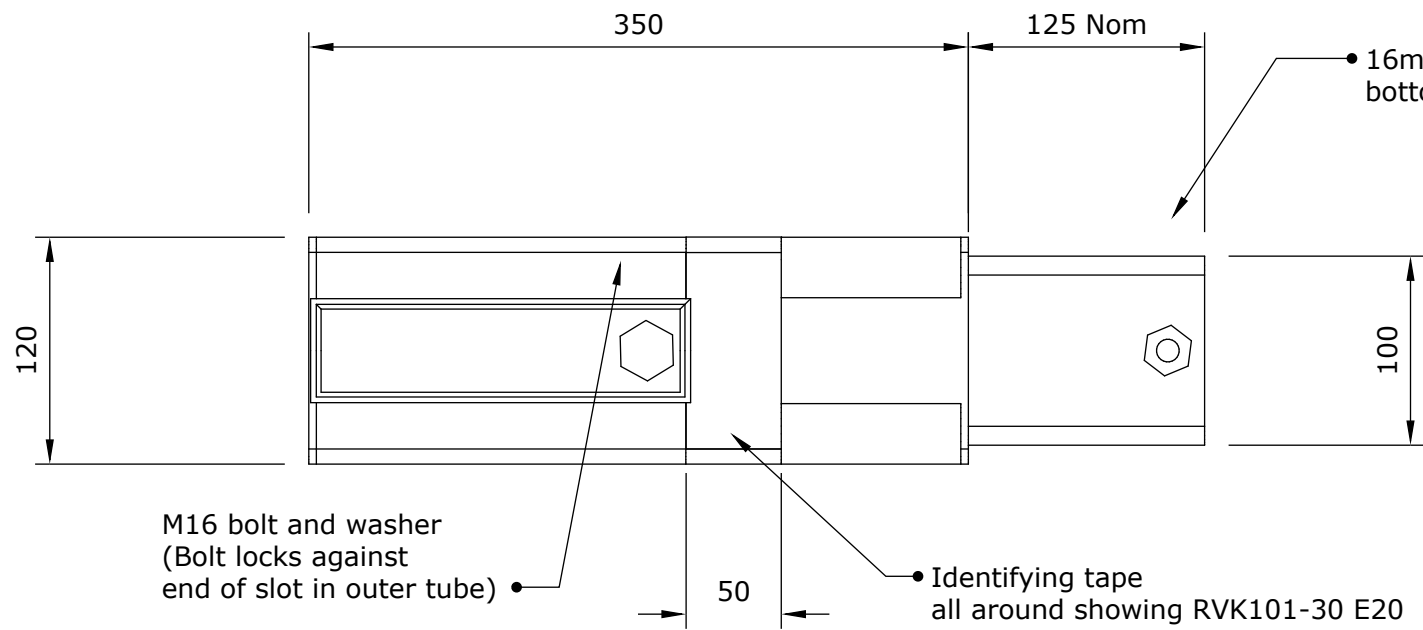


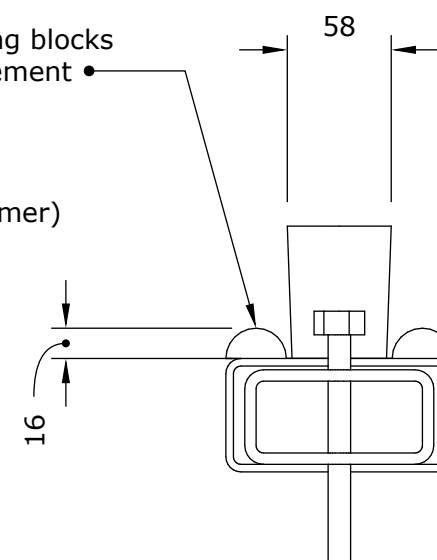
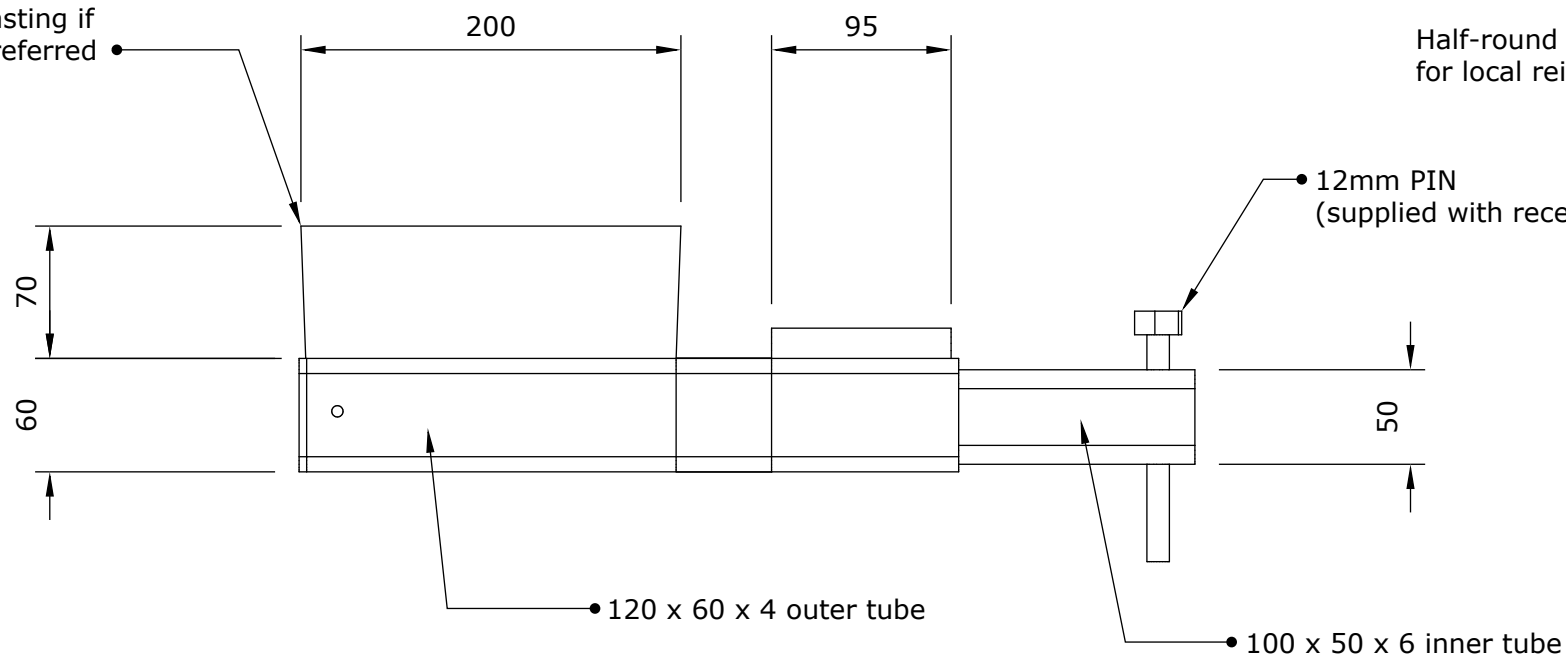
THIS DRAWING IS COPYRIGHT OF INVISIBLE CONNECTIONS LTD AND MUST NOT BE REPRODUCED WITHOUT WRITTEN PERMISSION

NOTES

- 1 - Do not scale off this drawing. If in doubt, ask.
- 2 - Steel grade S355. Available black as standard or in HDG.
- 3 - Vertical capacity of 60kN (ULS) when an air gap between 30-50mm is required.
- 4 - For details of local reinforcement, refer to Technical Memo 55b and Technical Meme 54b for the theory/calculations. These are downloadable from invisibleconnections.co.uk.
- 6 - For details of RVK101-30 E20 in use with Permanent Recess Former (Robustness) and reinforcement, see Standard Detail DRG No. IC/SD/SD4.
- 7 - This product can transfer axial load up to 30kN.



Plastic Hopper may be removed after casting if preferred



Rev.	Date	Description
B	26/09/18	Redrawn with latest model, Notes updated to suit current Technical Memos and drawings.
A	01/09/16	Redrawn with minor changes

ic Invisible connections[®]

Invisible Connections Ltd
 Unit 6, Thame Forty,
 Jane Morbey Road,
 Thame, Oxfordshire, OX9 3RR

Tel: +44(0)1844 266000
 Email: sales@invisibleconnections.co.uk
www.invisibleconnections.co.uk

PROJECT
 INVISIBLE CONNECTIONS PRODUCT
 DETAILS

TITLE
 RVK101-30 E20

Drawn By	Approved By	Scale
CB/MV	SF	1:4 @ A3

DRG No.	Revision
IC/PD/RVK101-30-E20	B