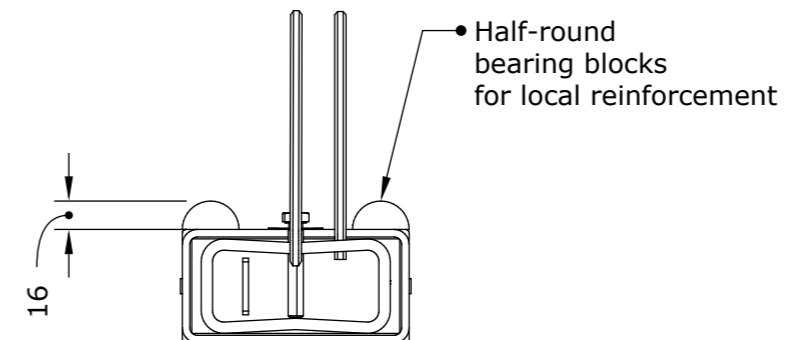
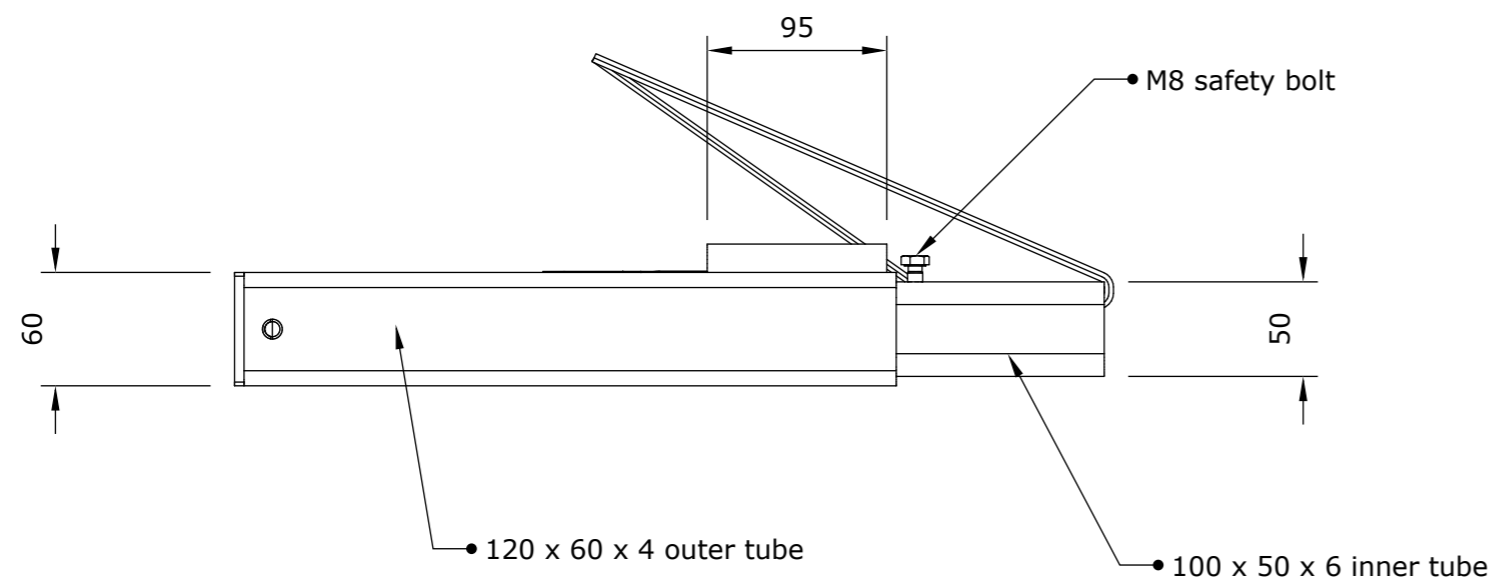
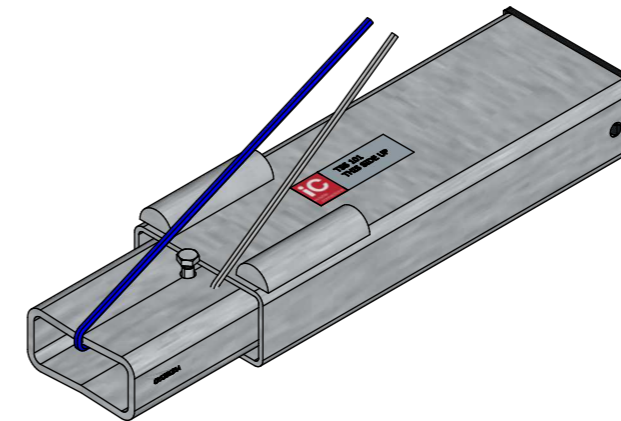
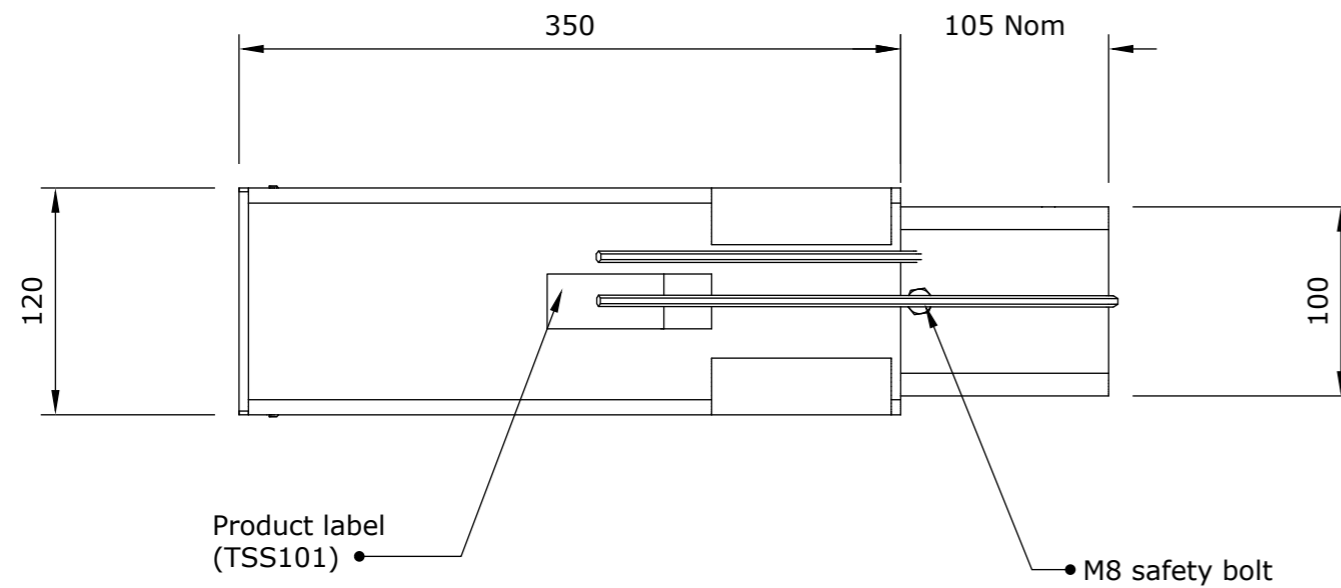


THIS DRAWING IS COPYRIGHT OF INVISIBLE CONNECTIONS LTD AND MUST NOT BE REPRODUCED WITHOUT WRITTEN PERMISSION

NOTES

- 1 - Do not scale off this drawing. If in doubt, ask.
- 2 - Steel grade S355. Available in HDG.
- 3 - Vertical capacity of 80kN (ULS) when used in 200mm (min.) slab thickness and 250mm (min.) edge distance. Vertical capacity increases linearly up to 100kN (ULS) in a slab thickness of 265mm or greater. See Technical Memo - 55c.
- 4 - For details of local reinforcement, refer to Technical Memo 55d and Technical Memo 54d for the theory/calculations. These are downloadable from invisibleconnections.co.uk
- 5 - For details of TSS101 in use with REDiBOX (STD) Recess Former and reinforcement see Standard Detail DRG No. IC/SD/SD2.
6. This product cannot transfer axial load.



Rev.	Date	Description
B	26/09/18	Redrawn with latest model. Notes updated to suit current Technical Memos and drawings.
A	01/09/16	Redrawn with minor changes

	Invisible Connections Ltd Unit 6, Thame Forty, Jane Morbey Road, Thame, Oxfordshire, OX9 3RR
	Tel: +44(0)1844 266000 Email: sales@invisibleconnections.co.uk www.invisibleconnections.co.uk

PROJECT
INVISIBLE CONNECTIONS PRODUCT DETAILS

TITLE
TSS101

Drawn By CB/MV	Approved By SF	Scale 1:4 @ A3
--------------------------	--------------------------	-------------------

DRG No. IC/PD/TSS101	Revision B
-------------------------	---------------