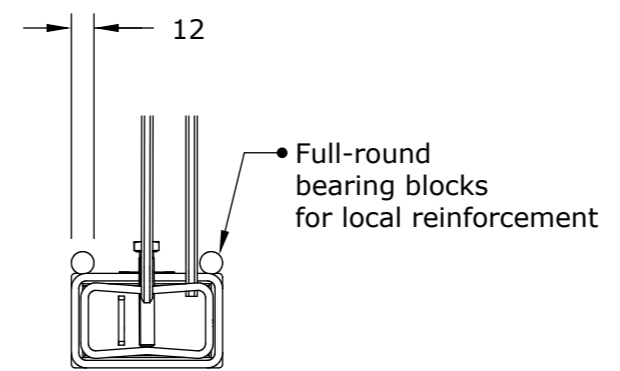
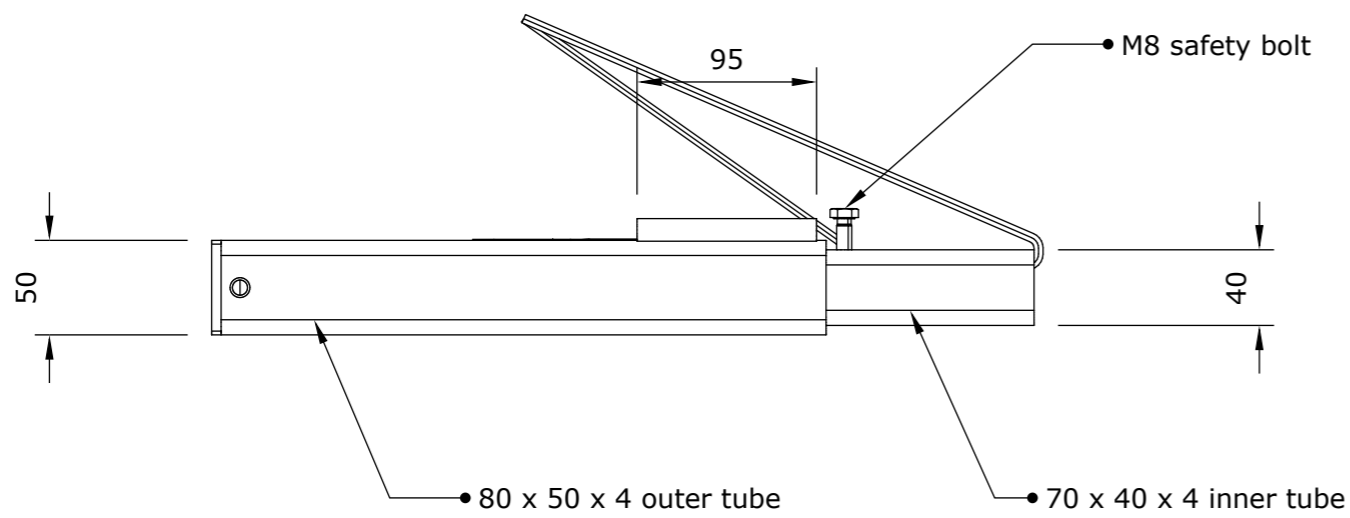
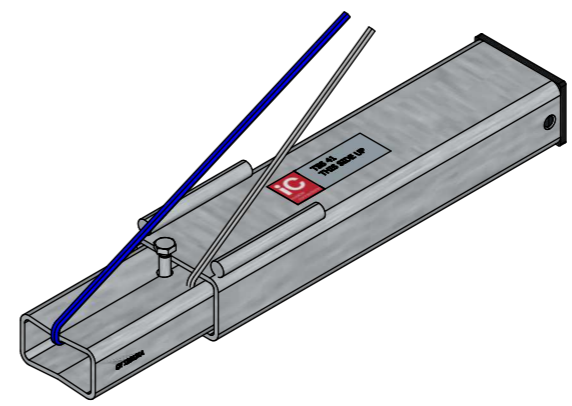
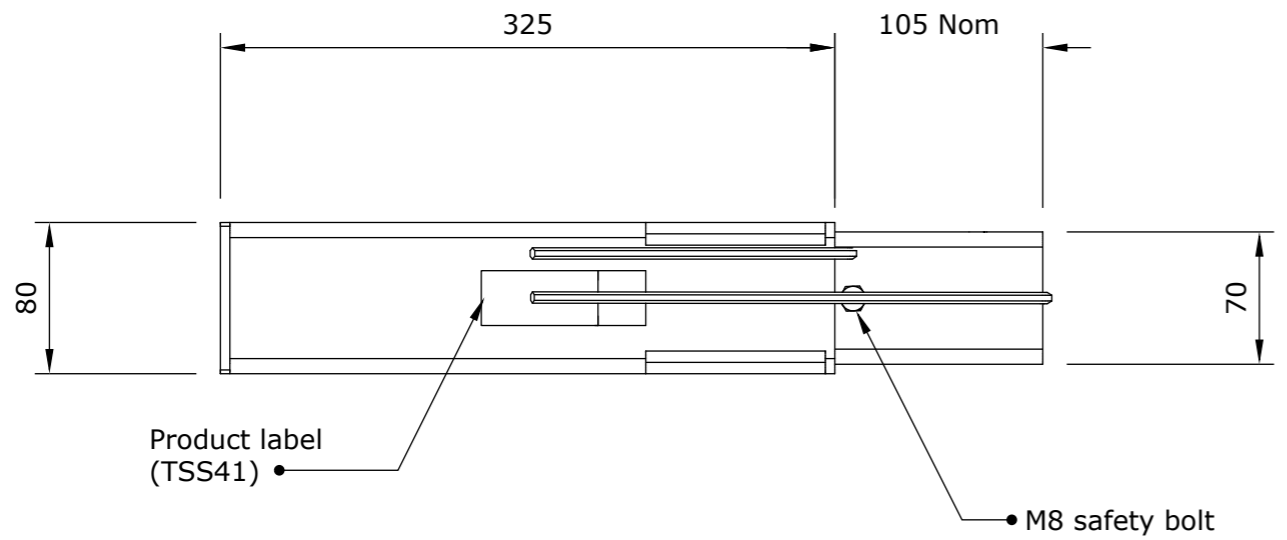


THIS DRAWING IS COPYRIGHT OF INVISIBLE CONNECTIONS LTD AND MUST NOT BE REPRODUCED WITHOUT WRITTEN PERMISSION

NOTES

- 1 - Do not scale off this drawing. If in doubt, ask.
- 2 - Steel grade S355. Available in HDG.
- 3 - Vertical capacity of 35kN (ULS) when used in 150mm (min.) slab thickness and 160mm (min.) edge distance. Vertical capacity increases linearly up to 40kN (ULS) in slab thickness of 150mm or greater and edge distance is greater than 250mm. See Technical Memo - 55c.
- 4 - For details of local reinforcement, refer to Technical Memo 55c and Technical Memo 54c for the theory and calculations. These are downloadable from invisibleconnections.co.uk.
- 5 - For details of TSS41 in use with REDiBOX (STD) Recess Former and reinforcement, see Standard Detail DRG No. IC/SD/SD8.
- 6 - This product cannot transfer axial load.



Rev.	Date	Description
B	26/09/18	Redrawn with latest model. Notes updated to suit current Technical Memos and drawings.
A	01/09/16	Redrawn with minor changes

ic
Invisible connections*

Invisible Connections Ltd
Unit 6, Thame Forty,
Jane Morbey Road,
Thame, Oxfordshire, OX9 3RR

Tel: +44(0)1844 266000
Email: sales@invisibleconnections.co.uk
www.invisibleconnections.co.uk

PROJECT
INVISIBLE CONNECTIONS PRODUCT DETAILS

TITLE
TSS41

Drawn By CB/MV	Approved By SF	Scale 1:4 @ A3
--------------------------	--------------------------	-------------------

DRG No. IC/PD/TSS41	Revision B
------------------------	---------------