

Technical Enquiry Form

BSF Telescopic Connectors

Beam to beam connection loads up to 1100 kN ULS

Please provide below the contact information, project details, dimensions and load data.

Product Range

Telescopic Beam Connectors

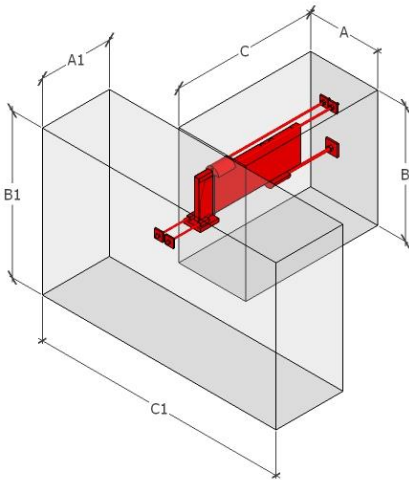
Product Options

BSF 225, BSF 300, BSF 450, BSF 700 and BSF 1100 (BBCON)

Loading Option

Beam with rectangular cross section into another beam

Key to dimensions



For alternative layouts, go to invisibleconnections.co.uk or call us for advice.

Invisible Connections Ltd
 Unit 6, Thame Forty
 Jane Morbey Road
 Thame, Oxfordshire OX9 3RR
 +44 (0)1844 266000
sales@invisibleconnections.co.uk
invisibleconnections.co.uk

Contact and project details

Contact name

Company

Telephone

Email

Project name

Project location

Main contractor.....

Precaster

Precast element reference

Drawing number(s)

Casting start date (estimate)

Casting end date (estimate).....

Dimensions

See A-C and A1-C1 on image to left. Please enter dimensions in mm.

A Beam width

B Beam height

C Beam length

A1 Beam width

B1 Beam height

C1 Beam length

Load data

(Examples)

Total load through connection *(400kN)*

Using the above information we will conduct an initial assessment of the application and advise suitable product selection, supported by calculations as required.

Please email completed enquiry form and any supporting drawings to technical@invisibleconnections.co.uk

For technical and practical advice call **+44 (0)1844 266000**