

# Technical Enquiry Form

## BSF Telescopic Connectors

### Beam to column connection loads up to 1100 kN ULS

Please provide below the contact information, project details, dimensions and load data.

**Product Range**

Telescopic Beam Connectors

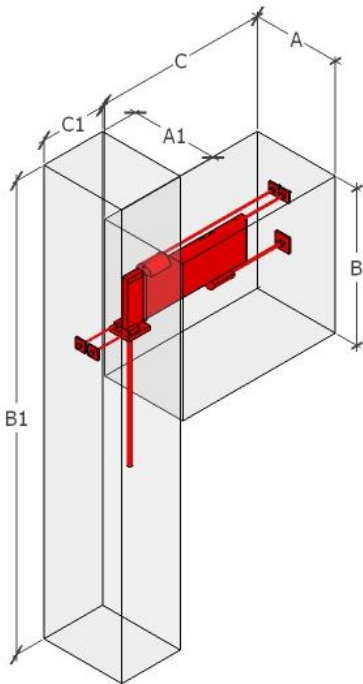
**Product Options**

BSF 225, BSF 300, BSF 450, BSF 700 and BSF 1100 (BCCON )

**Layout Option**

Beam with rectangular cross section into a column

**Key to dimensions**



For alternative layouts, go to [invisibleconnections.co.uk](http://invisibleconnections.co.uk) or call us for advice.

**Invisible Connections Ltd**  
 Unit 6, Thame Forty  
 Jane Morbey Road  
 Thame, Oxfordshire OX9 3RR  
 +44 (0)1844 266000  
[sales@invisibleconnections.co.uk](mailto:sales@invisibleconnections.co.uk)  
[invisibleconnections.co.uk](http://invisibleconnections.co.uk)

**Contact and project details**

Contact name .....

Company .....

Telephone .....

Email .....

Project name .....

Project location .....

Main contractor.....

Precaster .....

Precast element reference .....

Drawing number(s) .....

Casting start date (estimate) .....

Casting end date (estimate).....

**Dimensions**

See A-C and A1-C1 on image to left. Please enter dimensions in mm.

A Beam width .....

B Beam height .....

C Beam length .....

A1 Column width .....

B1 Column height .....

C1 Column depth .....

**Load data**

*(Examples)*

Total load through connection ..... *(400kN)*

Using the above information we will conduct an initial assessment of the application and advise suitable product selection, supported by calculations as required.

Please email completed enquiry form and any supporting drawings to [technical@invisibleconnections.co.uk](mailto:technical@invisibleconnections.co.uk)

For technical and practical advice call **+44 (0)1844 266000**