

# Technical Enquiry Form

## DTS Telescopic Connectors

### Double Tee connection loads up to 150 kN ULS

Please provide below the contact information, project details, dimensions and load data.

**Product Range**

Telescopic Beam  
Connectors

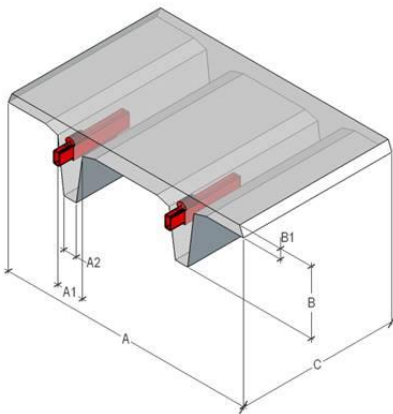
**Product Options**

DTS 150

**Layout Option**

Double Tee floor unit

**Key to dimensions**



For alternative loadings, go to [invisibleconnections.co.uk](http://invisibleconnections.co.uk) or phone us for advice.

**Invisible Connections Ltd**  
Unit 6, Thame Forty  
Jane Morbey Road  
Thame, Oxfordshire OX9 3RR  
+44 (0)1844 266000  
[sales@invisibleconnections.co.uk](mailto:sales@invisibleconnections.co.uk)  
[invisibleconnections.co.uk](http://invisibleconnections.co.uk)

**Contact and project details**

Contact name .....

Company .....

Telephone .....

Email .....

Project name .....

Project location .....

Main contractor .....

Precaster .....

Precast element reference .....

Drawing number(s) .....

Casting start date (estimate) .....

Casting end date (estimate).....

**Dimensions**

See A-C on image to left. Please enter dimensions in mm.

A Beam width .....

A1 Wide taper width .....

A2 Narrow taper width .....

B Beam height .....

B1 Floor thickness .....

C Beam length .....

**Load data**

*(Examples)*

Total load through connection ..... *(140kN)*

Using the above information we will conduct an initial assessment of the application and advise suitable product selection, supported by calculations as required.

Please email completed enquiry form and any supporting drawings to [technical@invisibleconnections.co.uk](mailto:technical@invisibleconnections.co.uk)

For technical and practical advice call **+44 (0)1844 266000**