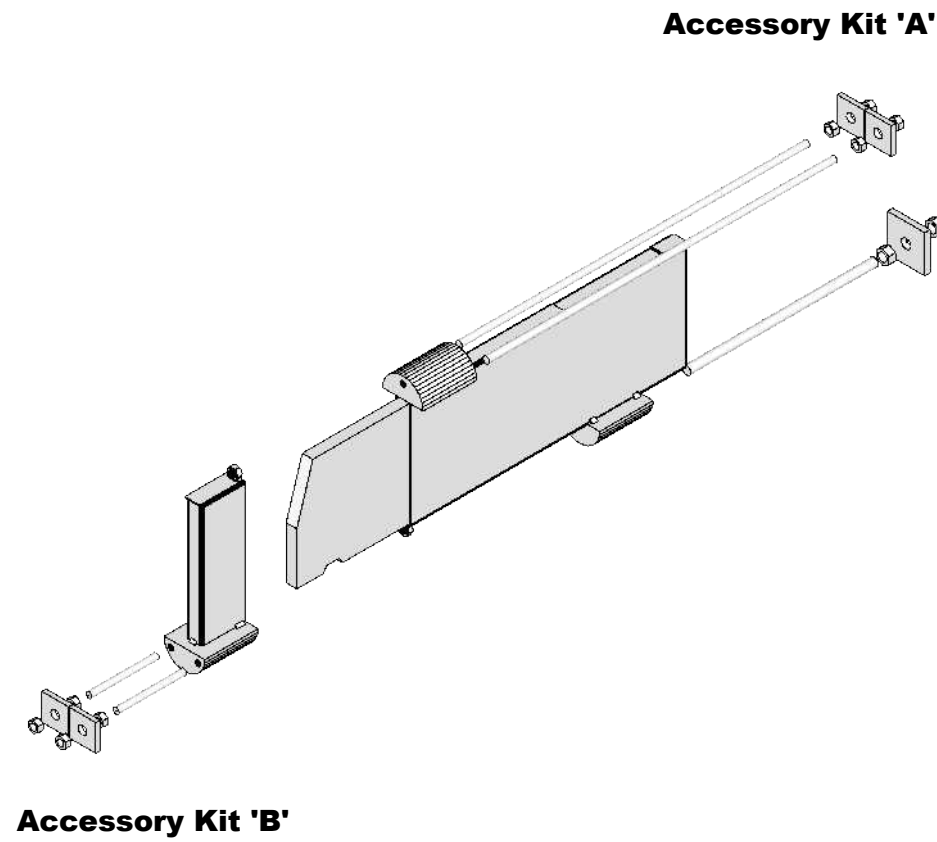
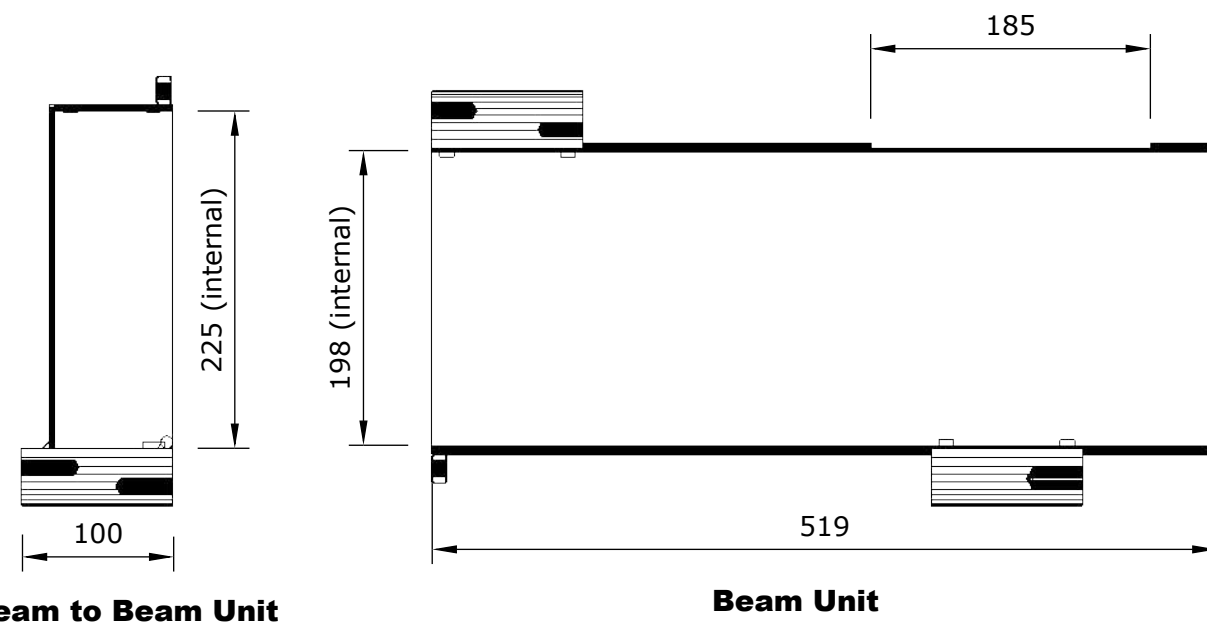
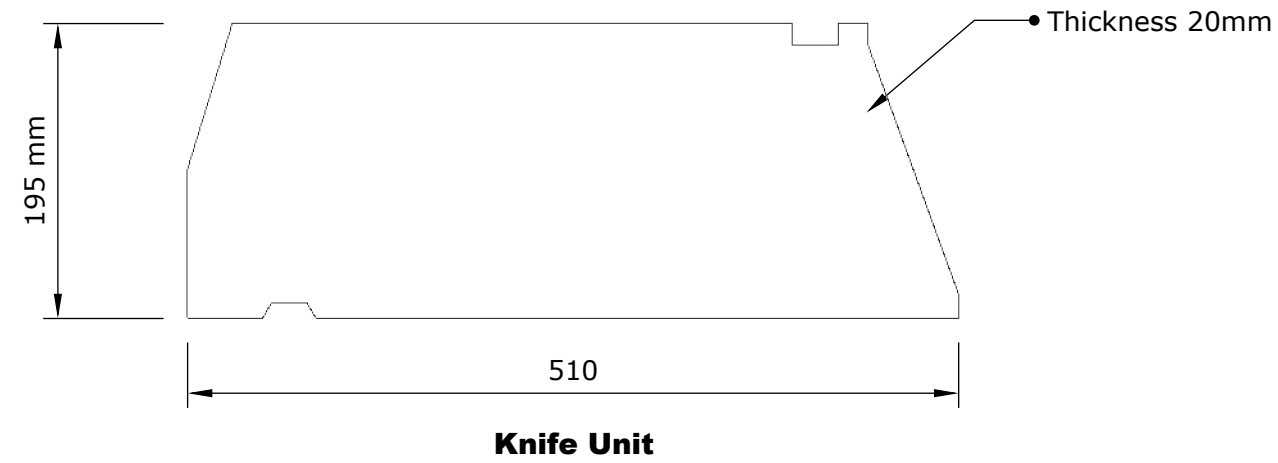


THIS DRAWING IS COPYRIGHT OF INVISIBLE CONNECTIONS LTD AND MUST NOT BE REPRODUCED WITHOUT WRITTEN PERMISSION

NOTES

1. Do Not Scale.
2. Vertical capacity of 225kN (ULS).
3. Design beams and reinforcement in accordance with Technical memo 521, 526 and 522a. These are downloadable from invisibleconnections.co.uk.
4. This product cannot transfer any axial load.
5. Accessory Kits available from Invisible Connections Ltd.
Kit A is for Beam Unit
Kit B is for Beam to Beam Unit
6. BSF225 components are colour coded blue.



M12 nut for fixing to mould

Front view (open side)

Beam to Beam Unit

25 (internal)

M12 tapped hole for fixing top to mould

76

Rear view (closed side)

M12 tapped hole for fixing to mould

Front view (open side)

Beam Unit

25 (internal)

M12 Nut for fixing to mould

76

2 x M12 tapped holes for attaching Accessory Kit 'B'

2 x M12 tapped holes for attaching Accessory Kit 'A'

Rear view (closed side)

M16 tapped hole for attaching Accessory Kit 'A'

Rev.	Date	Description
01	01/10/18	First Issue

ic Invisible connections*
 Invisible Connections Ltd
 Unit 6, Thame Forty,
 Jane Morbey Road,
 Thame, Oxfordshire, OX9 3RR
 Tel: +44(0)1844 266000
 Email: sales@invisibleconnections.co.uk
www.invisibleconnections.co.uk

PROJECT
BSF225 Beam to Beam Connector

TITLE
BSF225 Beam to Beam

Drawn By MV	Approved By SF	Scale 1:5@A3 1:10@A3
-----------------------	--------------------------	----------------------------

DRG No. IC/PD/BSF225B2B	Revision 01
----------------------------	----------------