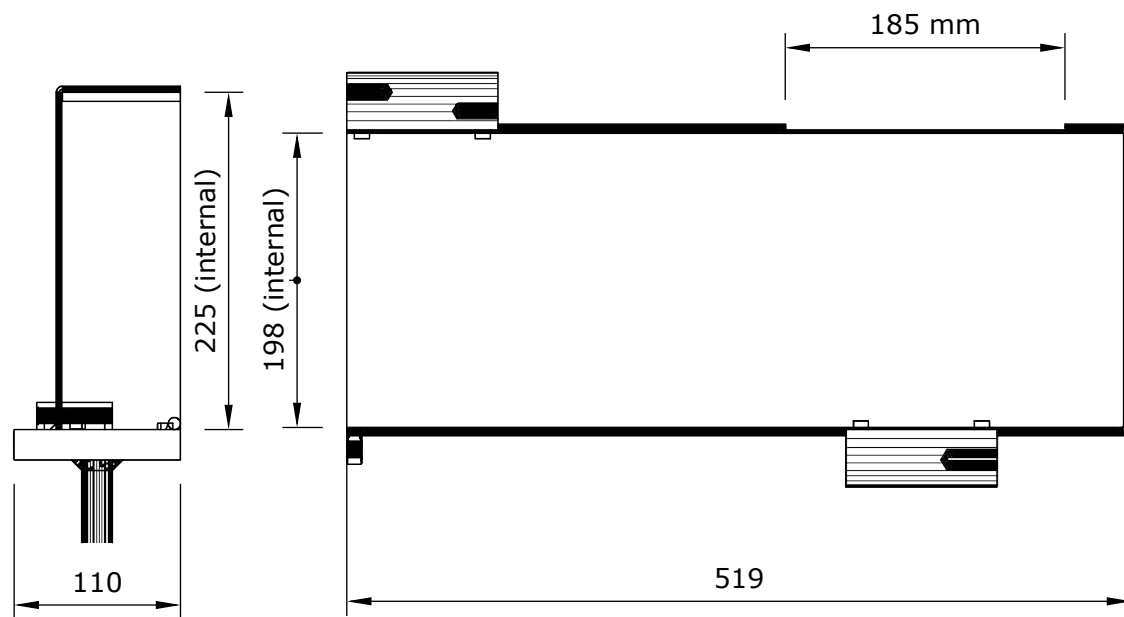
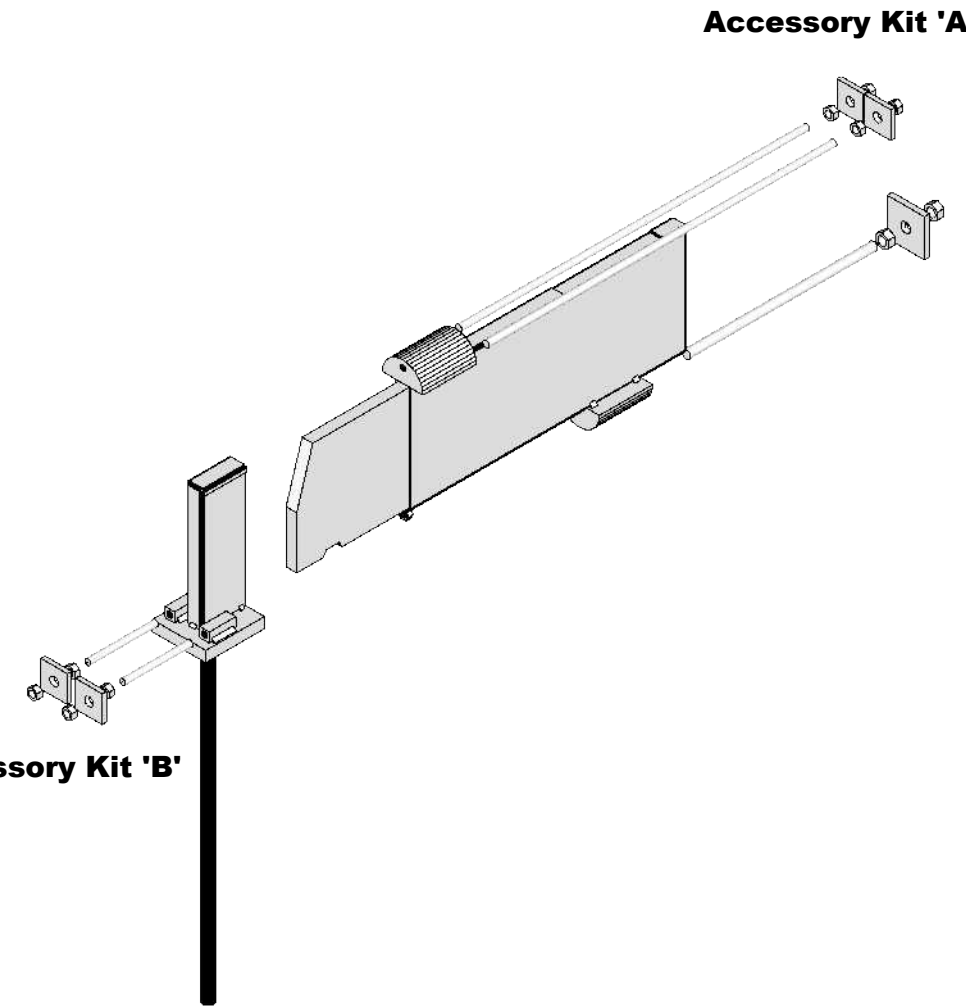
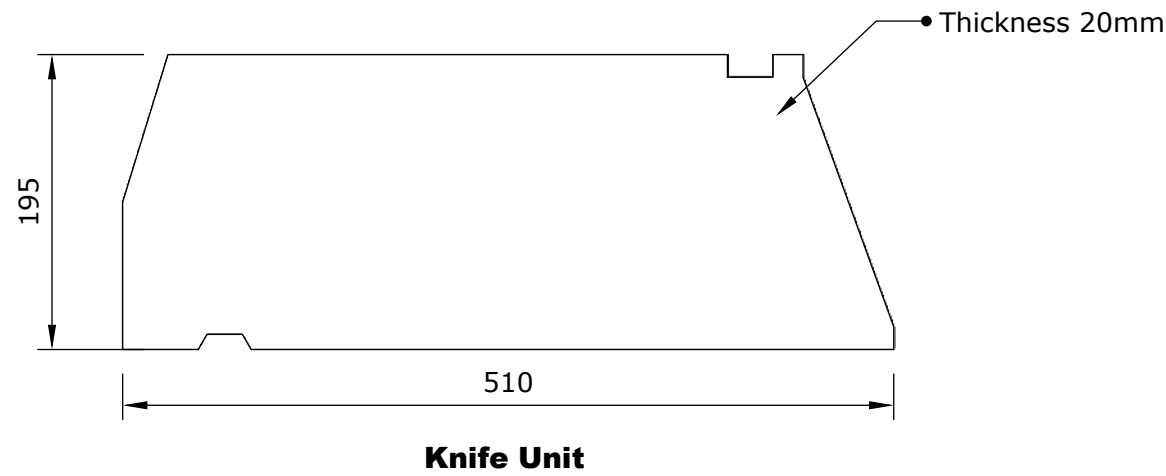


THIS DRAWING IS COPYRIGHT OF INVISIBLE CONNECTIONS LTD AND MUST NOT BE REPRODUCED WITHOUT WRITTEN PERMISSION

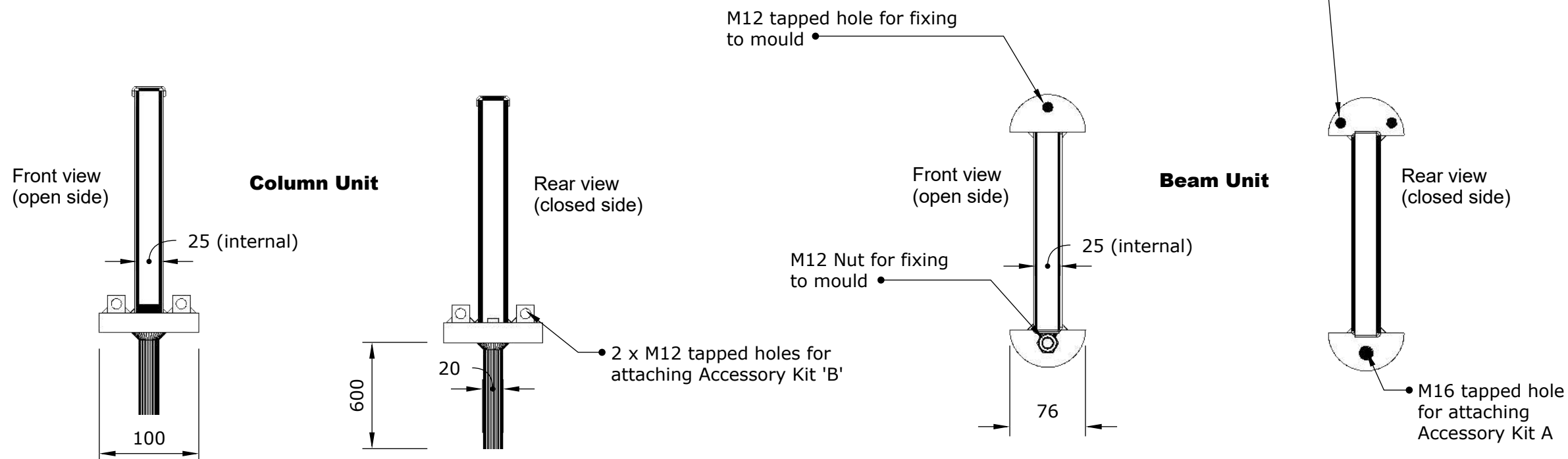
NOTES

1. Do Not Scale.
2. Vertical capacity of 225kN (ULS).
3. Design beam and column reinforcement in accordance with Technical memo 521 and 522a. These are downloadable from invisibleconnections.co.uk.
4. This product cannot transfer any axial load.
5. Accessory Kits available from Invisible Connections Ltd.
Kit A is for Beam Unit
Kit B is for Column Unit
6. Where more than 1 column unit is positioned at the same level, 'Bolt2boxes' can be used to secure the column units in place.
7. BSF225 components are colour coded blue.



Column Unit

Beam Unit



Rev.	Date	Description
01	01/10/18	First Issue

ic Invisible connections*

Invisible Connections Ltd
Unit 6, Thame Forty,
Jane Morbey Road,
Thame, Oxfordshire, OX9 3RR

Tel: +44(0)1844 266000
Email: sales@invisibleconnections.co.uk
www.invisibleconnections.co.uk

PROJECT

BSF225 Beam to Column Connector

TITLE

BSF225 Beam to Column

Drawn By	Approved By	Scale
MV	SF	1:5@A3 1:10@A3
DRG No.	Revision	
IC/PD/BSF225B2C	01	