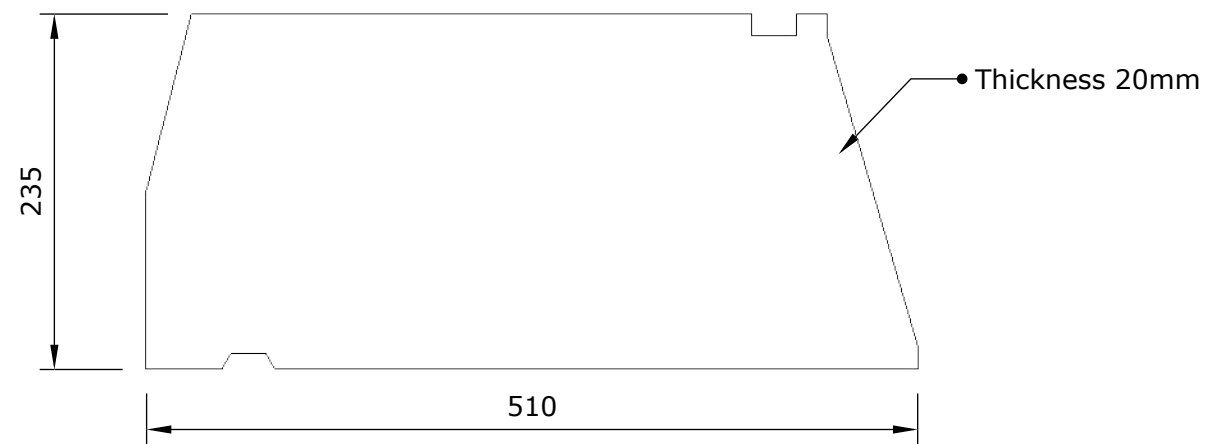
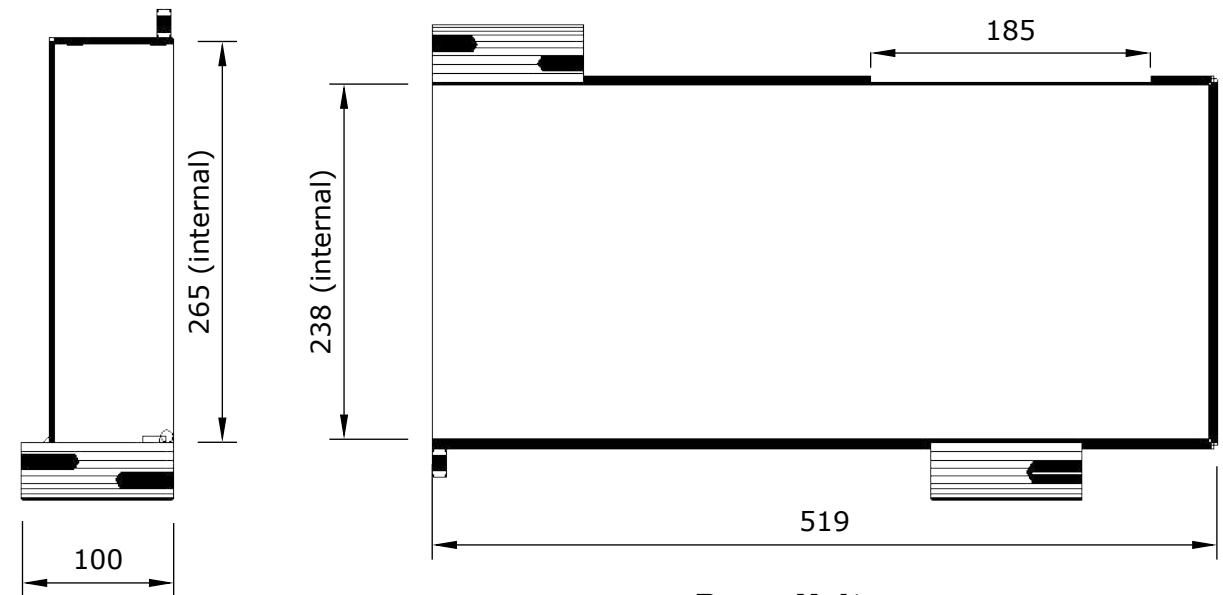


THIS DRAWING IS COPYRIGHT OF INVISIBLE CONNECTIONS LTD AND MUST NOT BE REPRODUCED WITHOUT WRITTEN PERMISSION

- NOTES
1. Do Not Scale.
  2. Vertical capacity of 300kN (ULS).
  3. Design beams and reinforcement in accordance with Technical memo 521, 526 and 522b. These are downloadable from [invisibleconnections.co.uk](http://invisibleconnections.co.uk).
  4. This product cannot transfer any axial load.
  5. Accessory Kits available from Invisible Connections Ltd.  
Kit A is for Beam Unit  
Kit B is for Beam to Beam Unit
  6. BSF300 components are colour coded green.

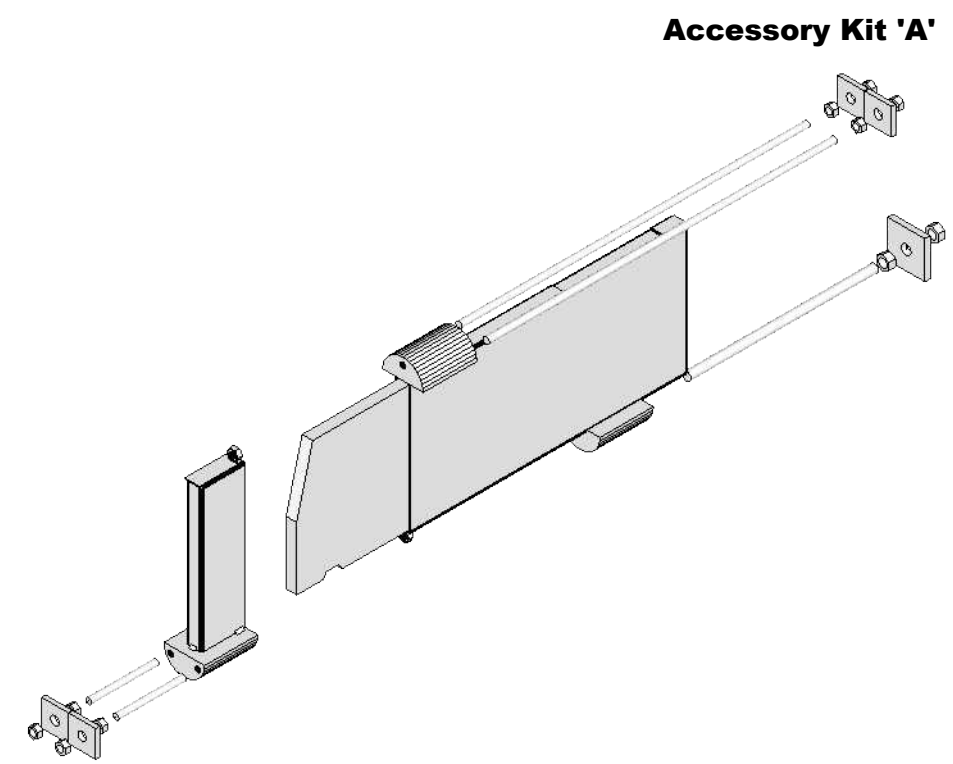


**Knife Unit**



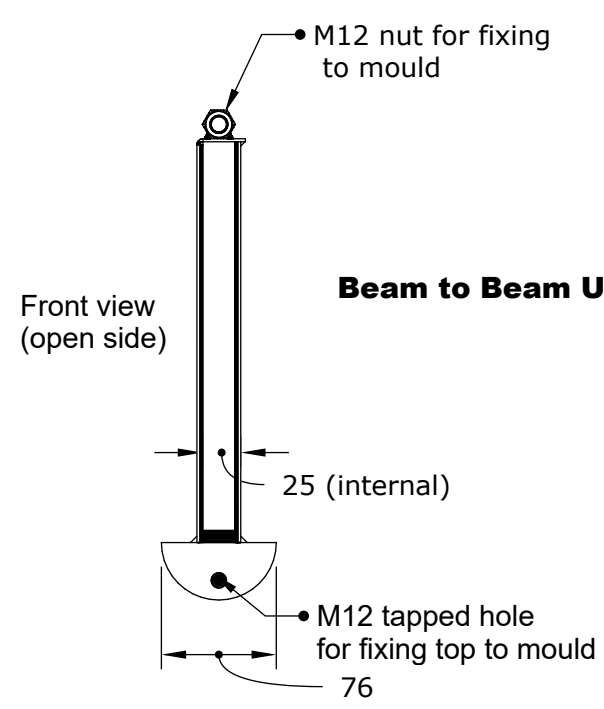
**Beam Unit**

**Beam to Beam Unit**

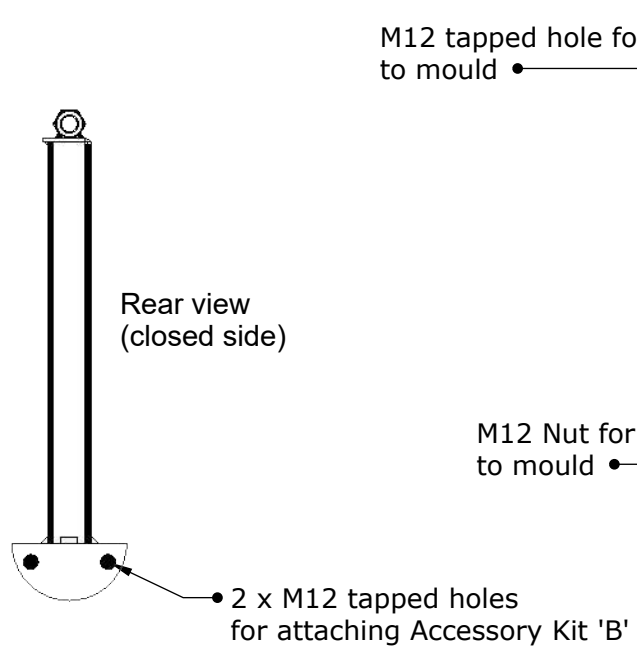


**Accessory Kit 'A'**

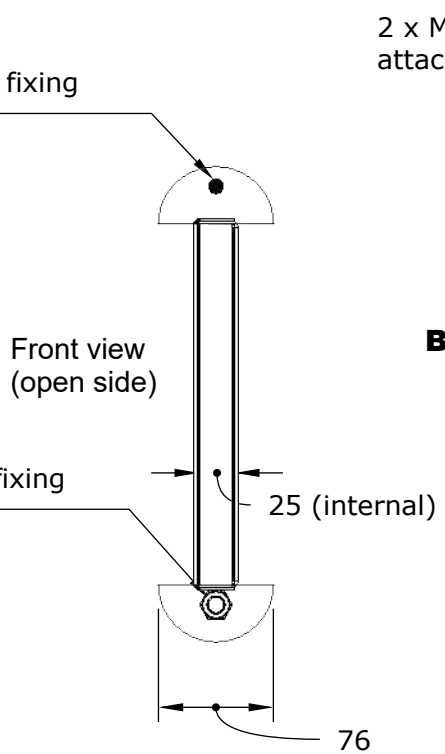
**Accessory Kit 'B'**



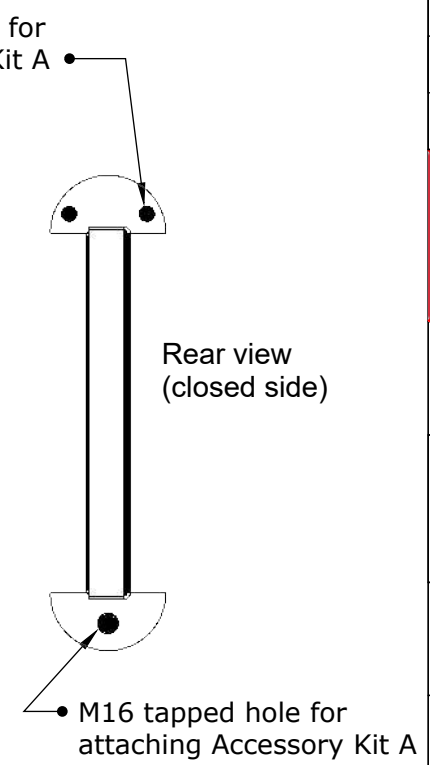
**Beam to Beam Unit**



Rear view (closed side)



**Beam Unit**



Rear view (closed side)

Rev.	Date	Description
01	01/10/18	First Issue

**ic** Invisible connections\*  
 Invisible Connections Ltd  
 Unit 6, Thame Forty,  
 Jane Morbey Road,  
 Thame, Oxfordshire, OX9 3RR  
 Tel: +44(0)1844 266000  
 Email: [sales@invisibleconnections.co.uk](mailto:sales@invisibleconnections.co.uk)  
[www.invisibleconnections.co.uk](http://www.invisibleconnections.co.uk)

PROJECT  
BSF300 Beam to Beam Connector

TITLE  
BSF300 Beam to Beam

Drawn By <b>MV</b>	Approved By <b>SF</b>	Scale 1:5@A3 1:10@A3
-----------------------	--------------------------	----------------------------

DRG No. IC/PD/BSF300B2B	Revision 01
----------------------------	----------------