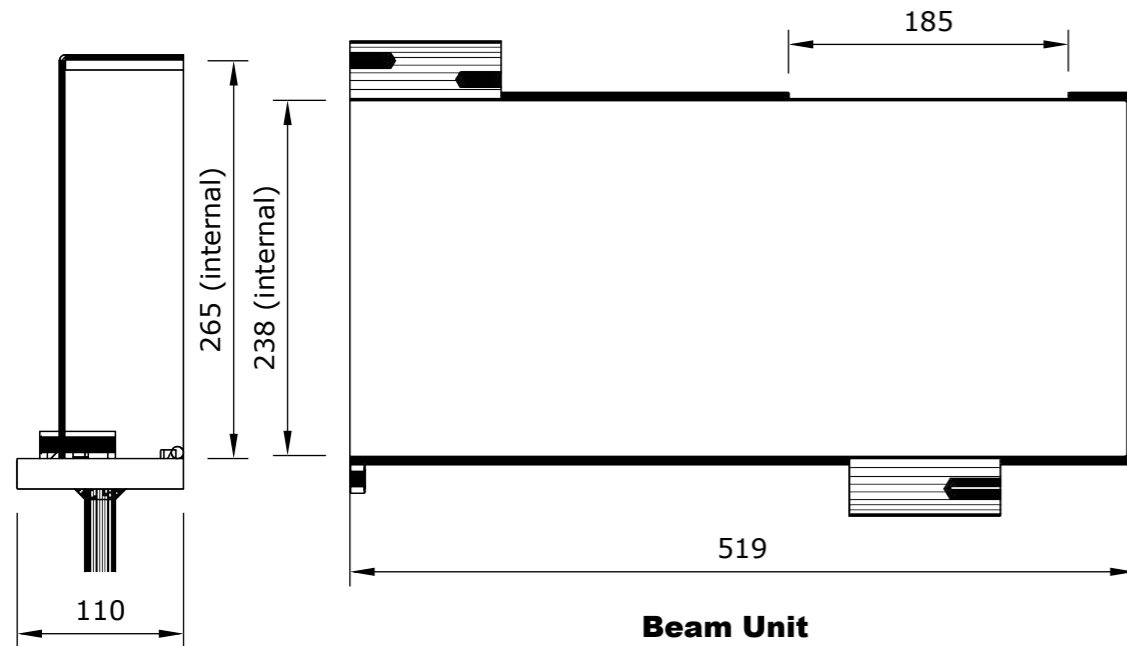
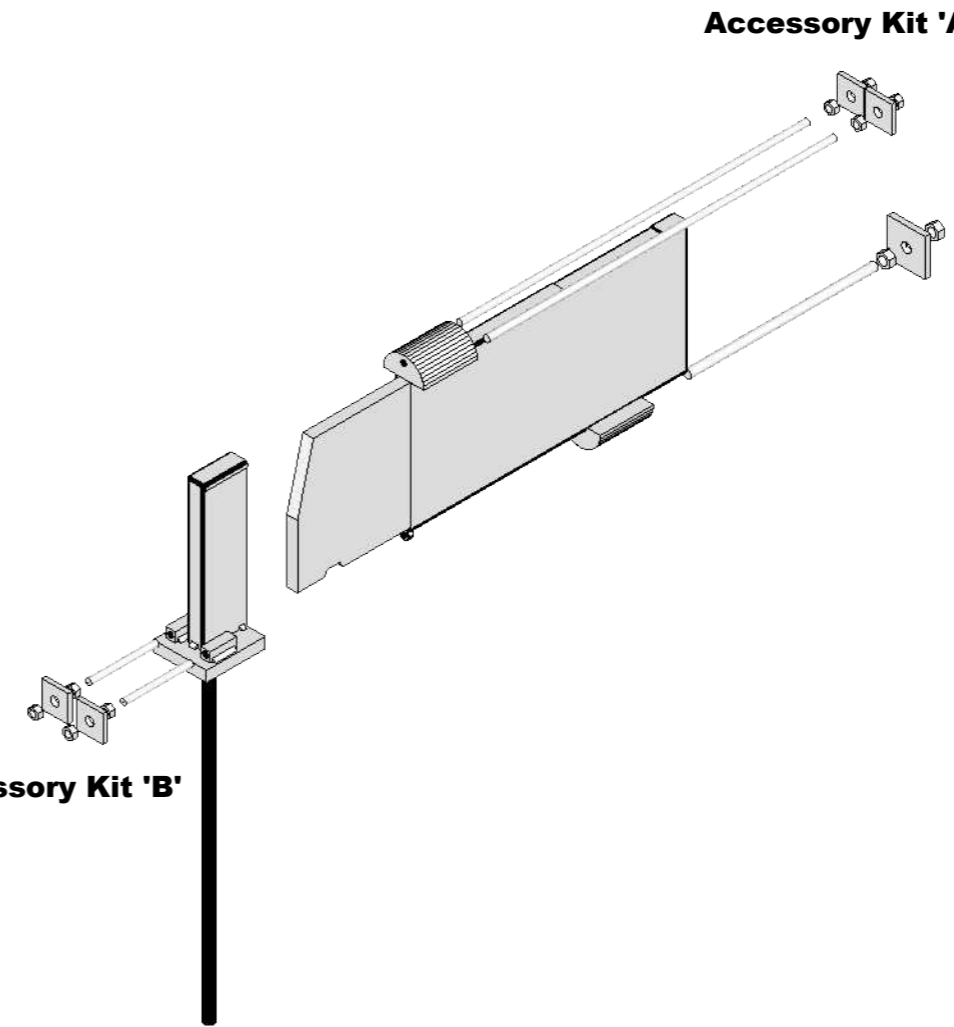
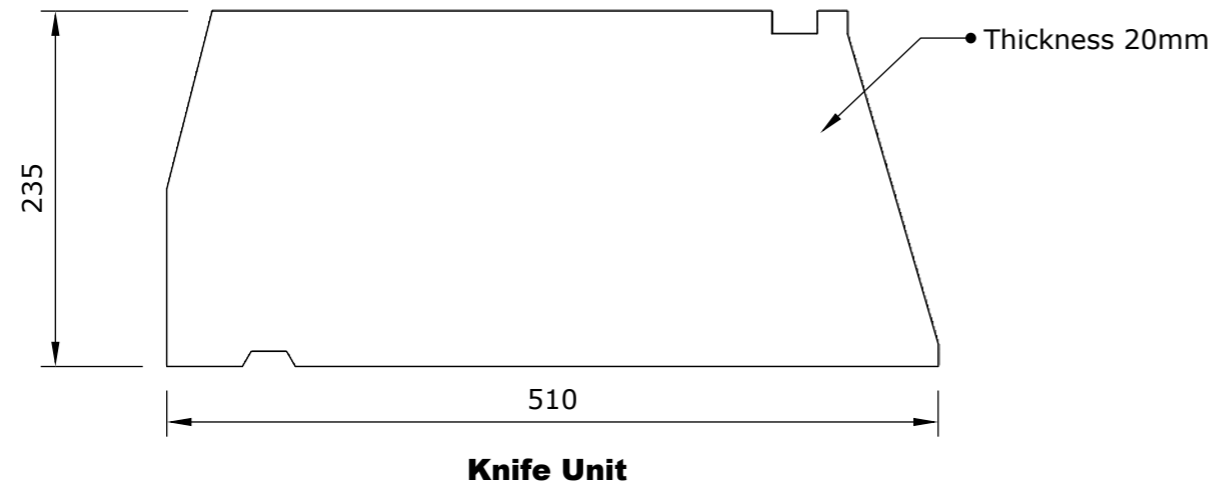


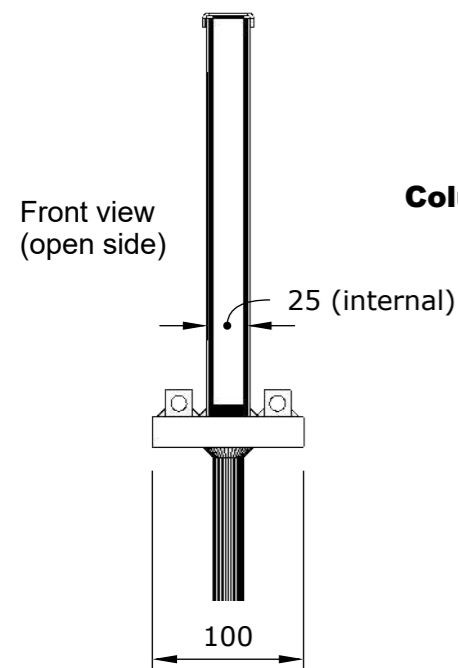
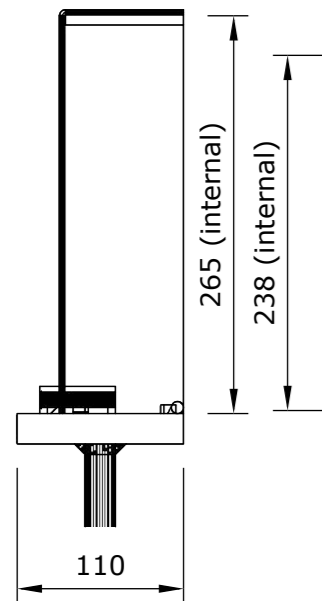
THIS DRAWING IS COPYRIGHT OF INVISIBLE CONNECTIONS LTD AND MUST NOT BE REPRODUCED WITHOUT WRITTEN PERMISSION

NOTES

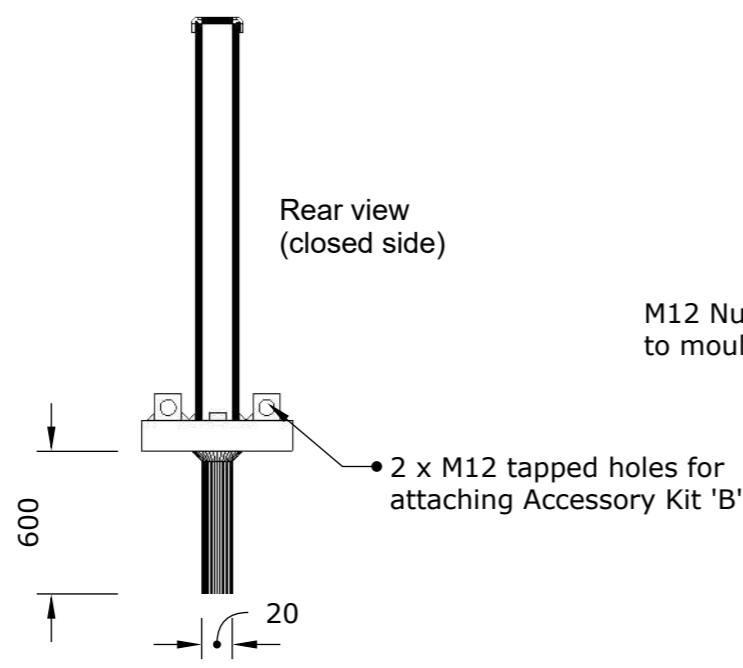
1. Do Not Scale.
2. Vertical capacity of 225kN (ULS).
3. Design beam and column reinforcement in accordance with Technical memo 521 and 522a. These are downloadable from invisibleconnections.co.uk.
4. This product cannot transfer any axial load.
5. Accessory Kits available from Invisible Connections Ltd.
Kit A is for Beam Unit
Kit B is for Column Unit
6. Where more than 1 column unit is positioned at the same level, 'Bolt2boxes' can be used to secure the column units in place.
7. BSF300 components are colour coded green.



Column Unit

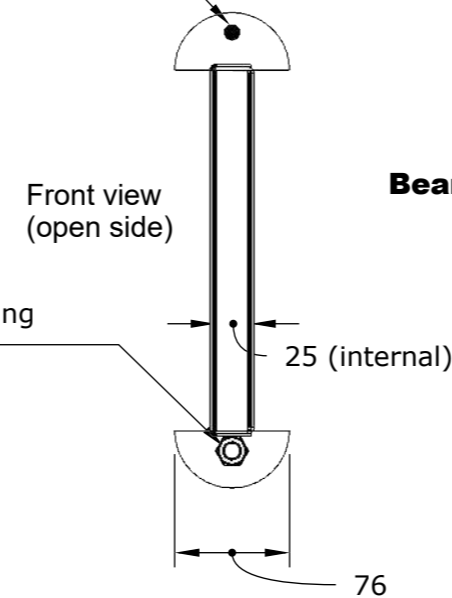


Column Unit

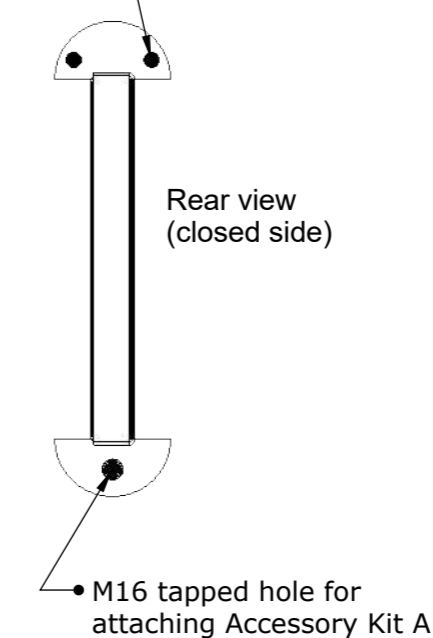


M12 tapped hole for fixing to mould

2 x M12 tapped holes for attaching Accessory Kit A



Beam Unit



01	01/10/18	First Issue
----	----------	-------------

Rev.	Date	Description
------	------	-------------

Invisible Connections Ltd
Unit 6, Thame Forty,
Jane Morbey Road,
Thame, Oxfordshire, OX9 3RR
Tel: +44(0)1844 266000
Email: sales@invisibleconnections.co.uk
www.invisibleconnections.co.uk

PROJECT	BSF300 Beam to Column Connector	
---------	---------------------------------	--

TITLE	BSF300 Beam to Column	
-------	-----------------------	--

Drawn By	Approved By	Scale
MV	SF	1:5@A3 1:10@A3

DRG No.	Revision
IC/PD/BSF300B2C	01