



ICL/FB/SF/OTS/01/09/18

# Scheduling Form

## FERBOX® Reinforcement Continuity System Off the Shelf Range

Please complete the quantity column and email to [sales@invisibleconnections.co.uk](mailto:sales@invisibleconnections.co.uk)



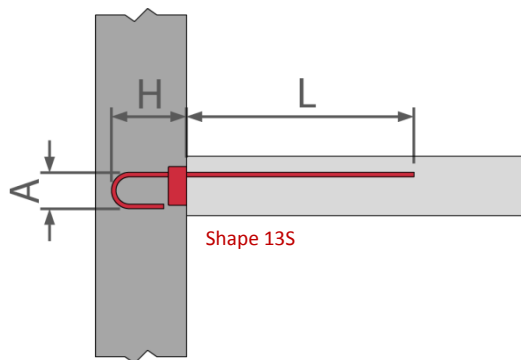
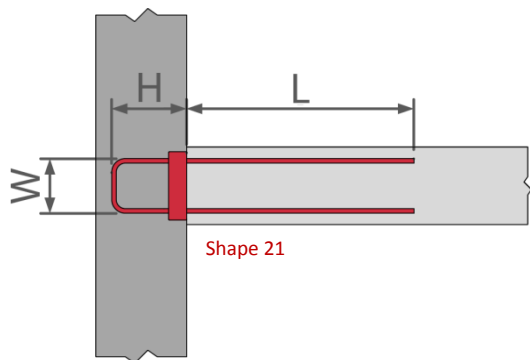
Name ..... Contractor ..... Date .....

Phone ..... Project ..... Drawing number(s) .....

Email ..... Project location ..... Schedule reference .....

Quantity <i>Please enter:</i>	Ordering Reference (abbreviated)	Casing				Reinforcement						Weight per unit (kg)
		Length (metres)	Width (mm)	Depth (mm)	Dimpling style	Type & Diameter	Centres C (mm)	Height H (mm)	Width W (mm)	Lap L (mm)	Hook A (mm)	
	HB14S B12 C150	1.25	145	40	Light	B12	150	170	120	500	-	12.3
	HB14S B12 C200	1.25	145	40	Light	B12	200	170	120	500	-	9.7
	HB16S B12 C150	1.25	165	40	Light	B12	150	170	140	500	-	12.7
	HB16S B12 C200	1.25	165	40	Light	B12	200	170	140	500	-	10.1
	HB18S B12 C150	1.25	185	40	Light	B12	150	170	160	500	-	13.0
	HB18S B12 C200	1.25	185	40	Light	B12	200	170	160	500	-	10.4
	HB20S B12 C150	1.25	205	40	Light	B12	150	170	180	500	-	13.3
	HB20S B12 C200	1.25	205	40	Light	B12	200	170	180	500	-	10.6
	HB22S B12 C150	1.25	225	40	Light	B12	150	170	200	500	-	13.6
	HB22S B12 C200	1.25	225	40	Light	B12	200	170	200	500	-	10.9
	HB9S B12 C150	1.25	85	40	Light	B12	150	170	-	500	100	5.8
	HB9S B12 C200	1.25	85	40	Light	B12	200	170	-	500	100	4.3
	M19D B16 C150	1.20	190	50	Heavy	B16	150	170	170	600	-	23.7
	M19D B16 C200	1.20	190	50	Heavy	B16	200	170	170	650	-	19.5
	M22D B16 C150	1.20	220	50	Heavy	B16	150	170	200	650	-	25.7
	M22D B16 C200	1.20	220	50	Heavy	B16	200	170	200	650	-	20.0
	M24D B16 C150	1.20	240	50	Heavy	B16	150	170	220	650	-	26.1
	M24D B16 C200	1.20	240	50	Heavy	B16	200	170	220	650	-	20.4
	M24S B12 C150	1.20	240	35	Heavy	B12	150	170	220	500	-	13.8
	M24S B12 C200	1.20	240	35	Heavy	B12	200	170	220	500	-	11.2
	M11D B16 C150	1.20	110	50	Heavy	B16	150	170	-	650	130	14.1
	M11D B16 C200	1.20	110	50	Heavy	B16	200	170	-	650	130	11.1

### Off the shelf shapes



Key:  
 First pour  
 Second pour

### Don't see what you need?

If you don't see what you need in the above table, 'specials' are routinely manufactured to order.

'Choose Ferbox by application' at [invisibleconnections.co.uk/products/ferbox](http://invisibleconnections.co.uk/products/ferbox)

or email us [sales@invisibleconnections.co.uk](mailto:sales@invisibleconnections.co.uk) to receive the appropriate scheduling form.

Please email completed scheduling form to [sales@invisibleconnections.co.uk](mailto:sales@invisibleconnections.co.uk)

For technical and practical advice call +44 (0)1844 266000