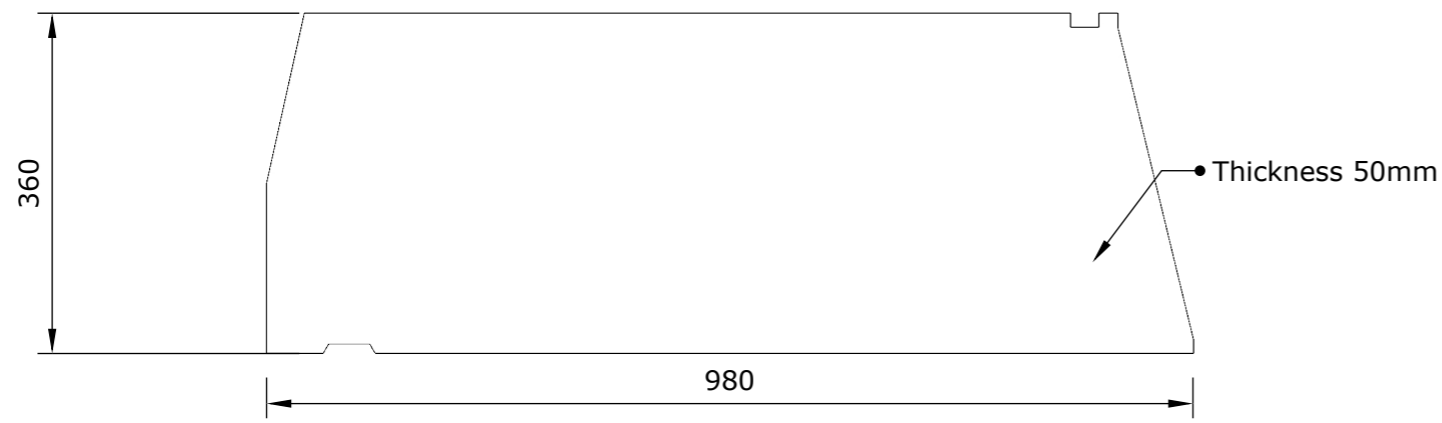
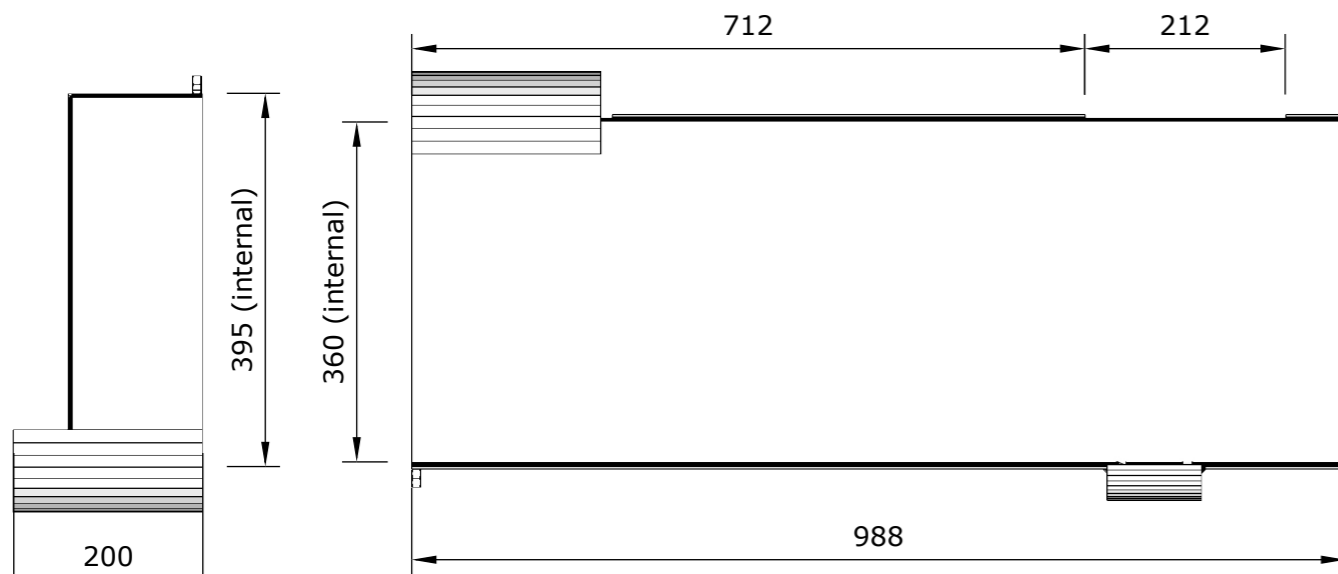


THIS DRAWING IS COPYRIGHT OF INVISIBLE CONNECTIONS LTD AND MUST NOT BE REPRODUCED WITHOUT WRITTEN PERMISSION

- NOTES
1. Do Not Scale.
 2. Vertical capacity of 1100kN (ULS).
 3. Design beams and column reinforcement in accordance with Technical memo 521, 526 and 522e. These are downloadable from invisibleconnections.co.uk.
 4. This product cannot transfer any axial load.
 5. Accessory Kits available from Invisible Connections Ltd. Kit J is for Beam Unit Kit K is for Beam to Beam Unit
 6. BSF1100 components are colour coded yellow.

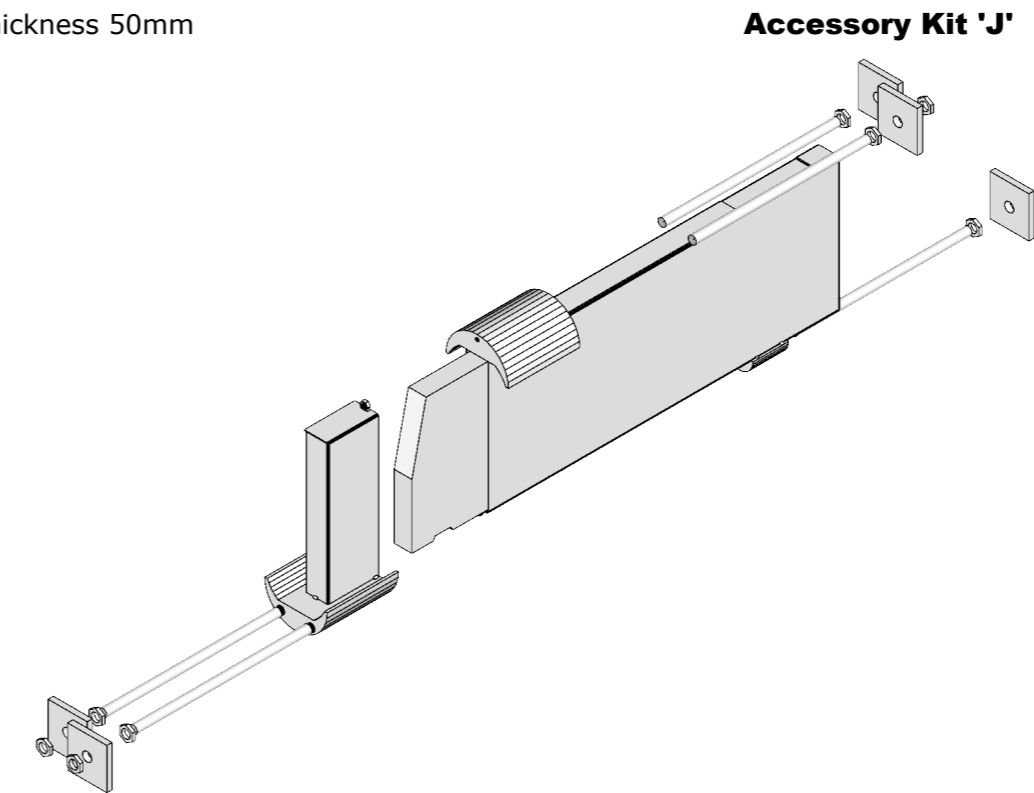
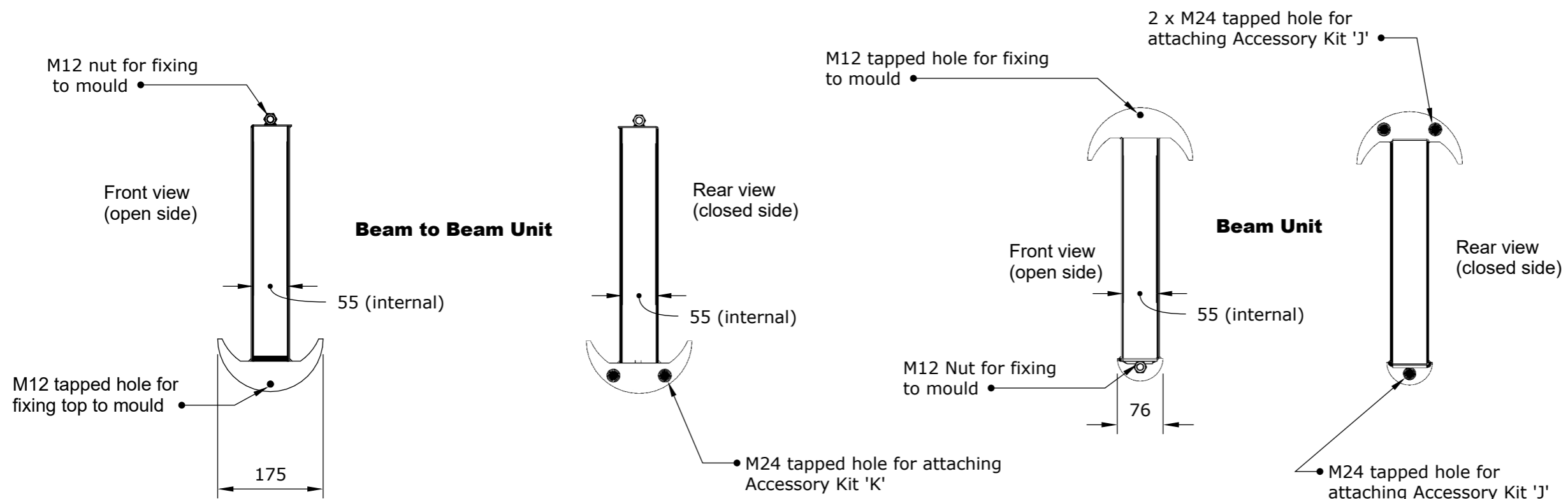


Knife Unit



Beam Unit

Beam to Beam Unit



02	07/01/19	Accessory Kit references
01	01/10/18	First Issue
Rev.	Date	Description

ic Invisible connections*
 Invisible Connections Ltd
 Unit 6, Thame Forty,
 Jane Morbey Road,
 Thame, Oxfordshire, OX9 3RR
 Tel: +44(0)1844 266000
 Email: sales@invisibleconnections.co.uk
www.invisibleconnections.co.uk

PROJECT	BSF1100 Beam to Beam Connector
---------	--------------------------------

TITLE	BSF1100 Beam to Beam
-------	----------------------

Drawn By	Approved By	Scale
MV	SF	1:8@A3 1:15@A3

DRG No.	Revision
IC/PD/BSF1100B2B	02