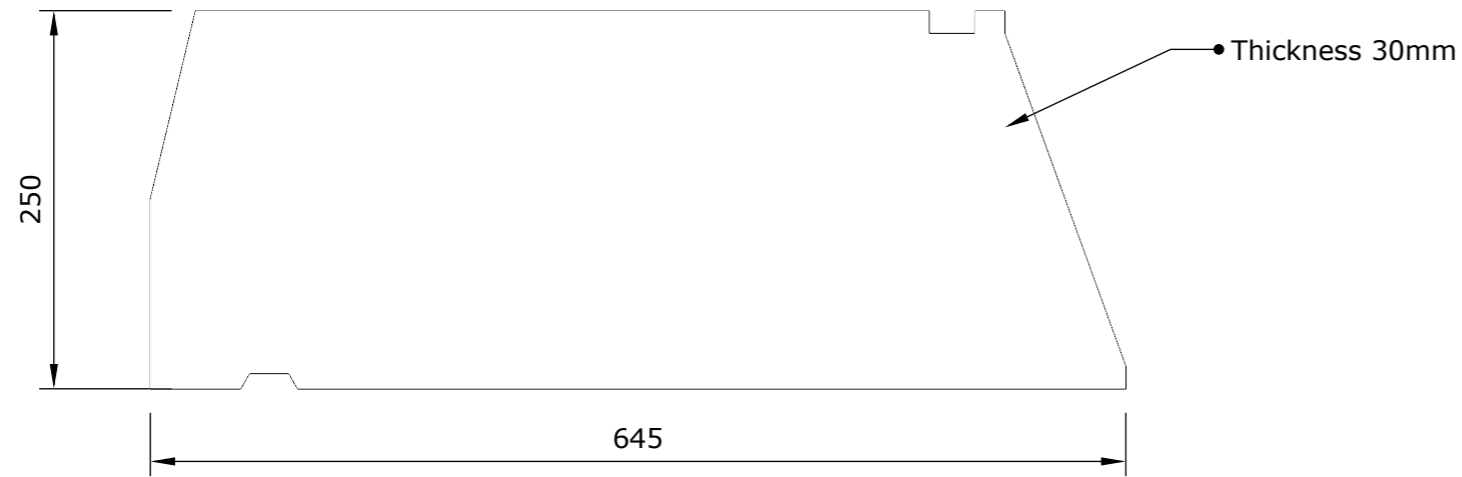


THIS DRAWING IS COPYRIGHT OF INVISIBLE CONNECTIONS LTD AND MUST NOT BE REPRODUCED WITHOUT WRITTEN PERMISSION

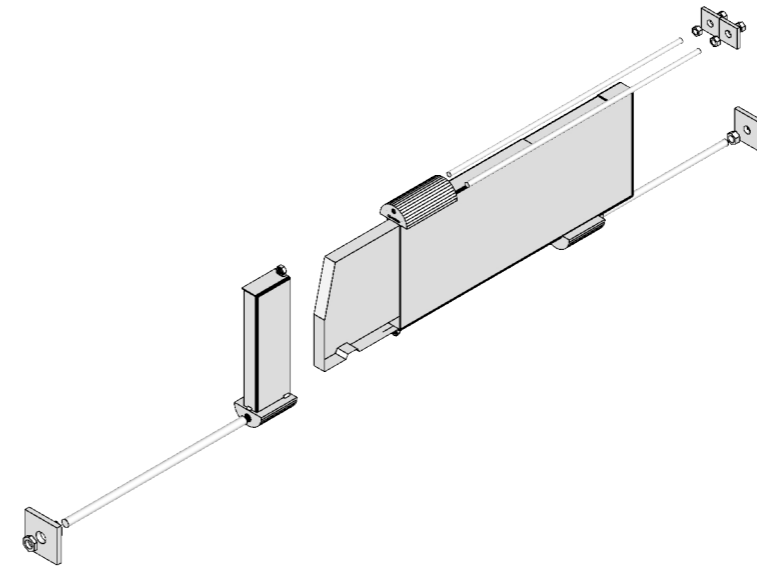
NOTES

1. Do Not Scale.
2. Vertical capacity of 450kN (ULS).
3. Design beams and reinforcement in accordance with Technical memo 521, 526 and 522c. These are downloadable from invisibleconnections.co.uk.
4. This product cannot transfer any axial load.
5. Accessory Kits available from Invisible Connections Ltd.
Kit C is for Beam Unit
Kit E is for Beam to Beam Unit
6. BSF450 components are colour coded silver.

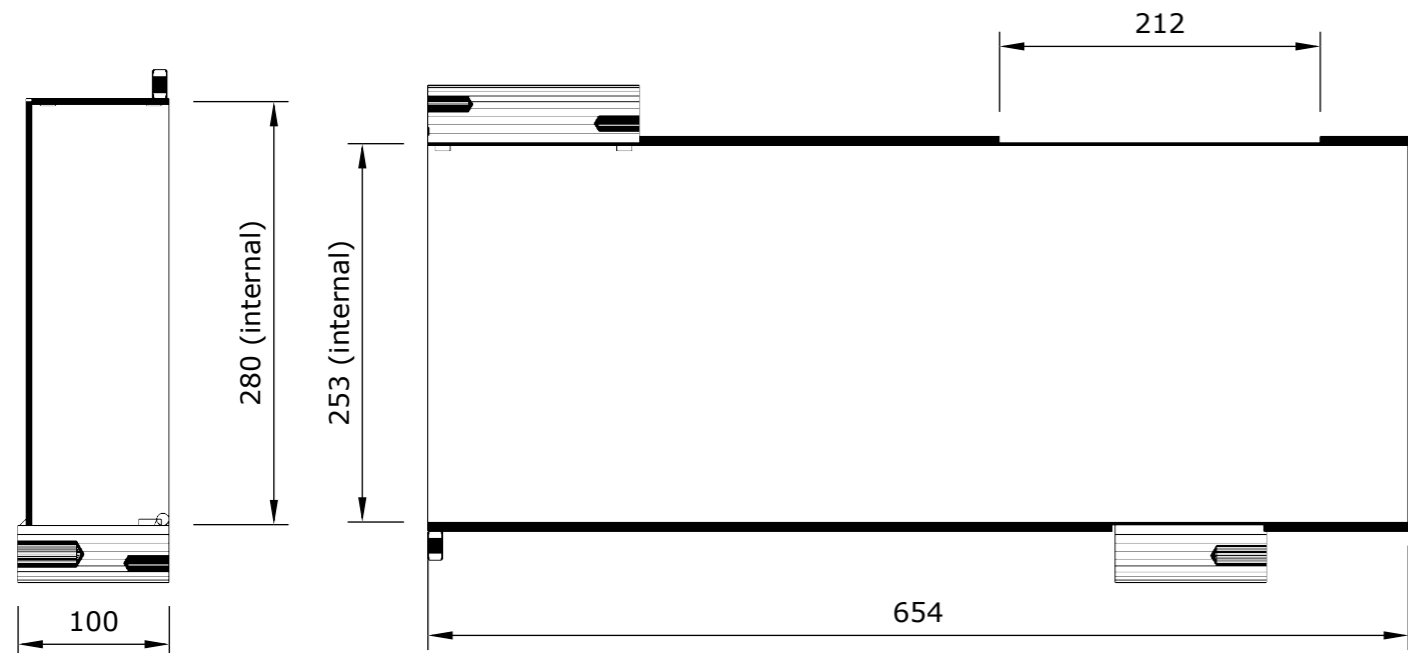


Knife Unit

Accessory Kit 'C'



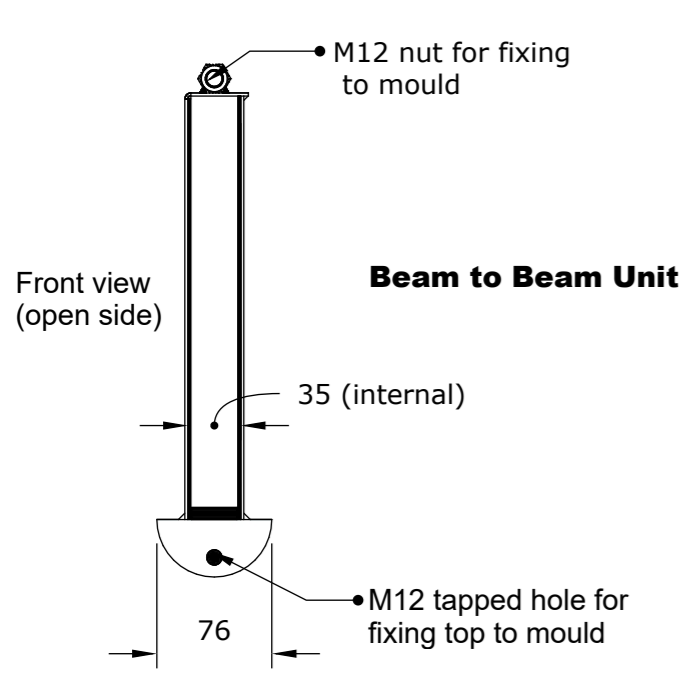
Accessory Kit 'E'



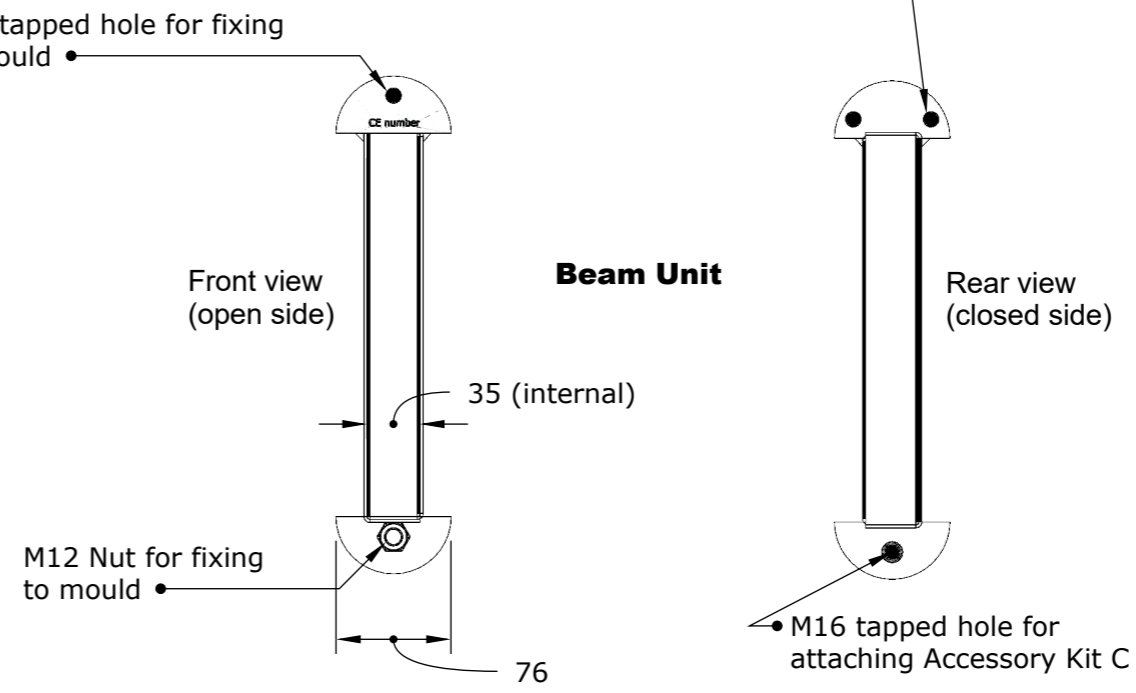
Beam to Beam Unit

Beam Unit

2 x M12 tapped holes for attaching Accessory Kit C



M12 tapped hole for fixing to mould



Rev.	Date	Description
02	07/01/19	Accessory Kit references
01	01/10/18	First Issue

ic Invisible connections*

Invisible Connections Ltd
Unit 6, Thame Forty,
Jane Morbey Road,
Thame, Oxfordshire, OX9 3RR

Tel: +44(0)1844 266000
Email: sales@invisibleconnections.co.uk
www.invisibleconnections.co.uk

PROJECT	BSF450 Beam to Beam Connector
---------	-------------------------------

TITLE	BSF450 Beam to Beam
-------	---------------------

Drawn By	Approved By	Scale
MV	SF	1:5@A3 1:15@A3

DRG No.	Revision
IC/PD/BSF450B2B	02