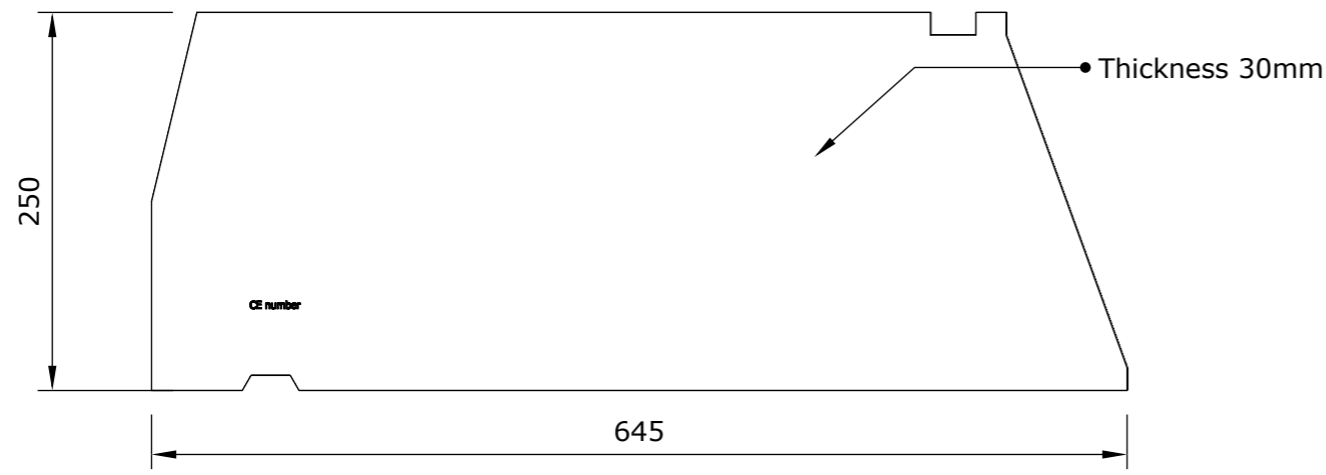


THIS DRAWING IS COPYRIGHT OF INVISIBLE CONNECTIONS LTD AND MUST NOT BE REPRODUCED WITHOUT WRITTEN PERMISSION

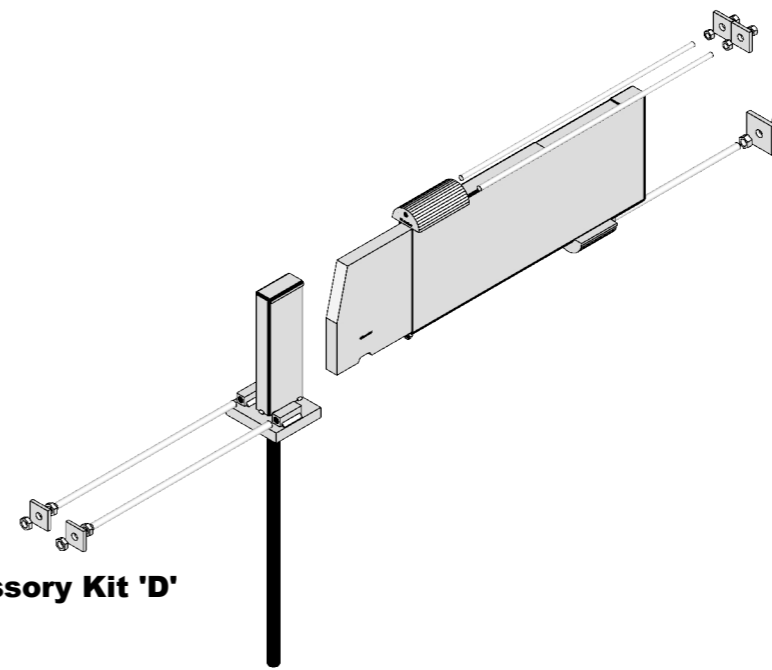
NOTES

1. Do Not Scale.
2. Vertical capacity of 450kN (ULS).
3. Design beam and column reinforcement in accordance with Technical memo 521 and 522c. These are downloadable from invisibleconnections.co.uk.
4. This product cannot transfer any axial load.
5. Accessory Kits available from Invisible Connections Ltd.
Kit C is for Beam Unit
Kit D is for Column Unit
6. Where more than 1 column unit is positioned at the same level, 'Bolt2boxes' can be used to secure the column units in place.
7. BSF450 components are colour coded silver.

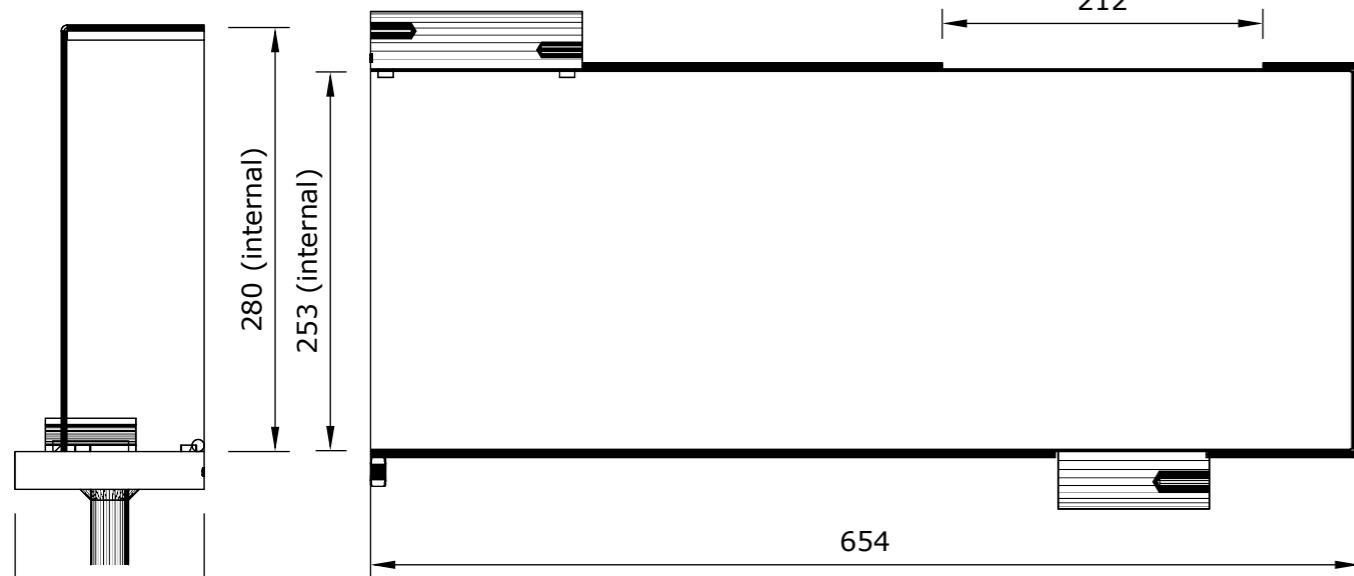


Knife Unit

Accessory Kit 'C'



Accessory Kit 'D'

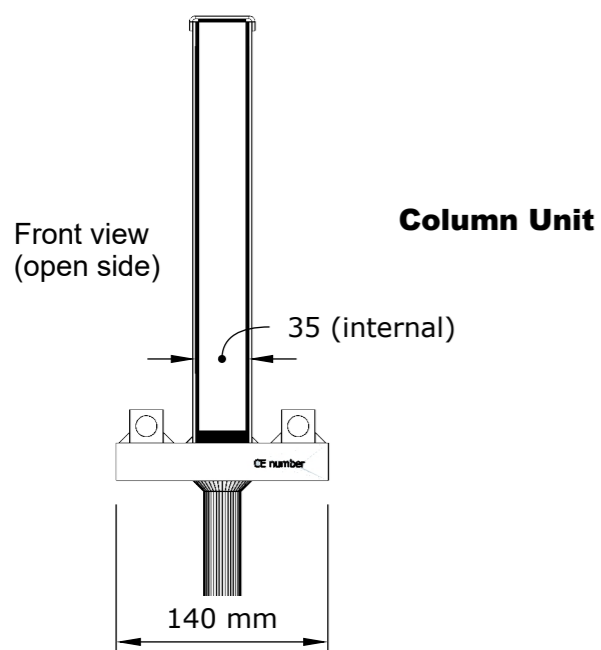


Beam Unit

Column Unit

2 x M12 tapped hole for attaching Accessory Kit 'C'

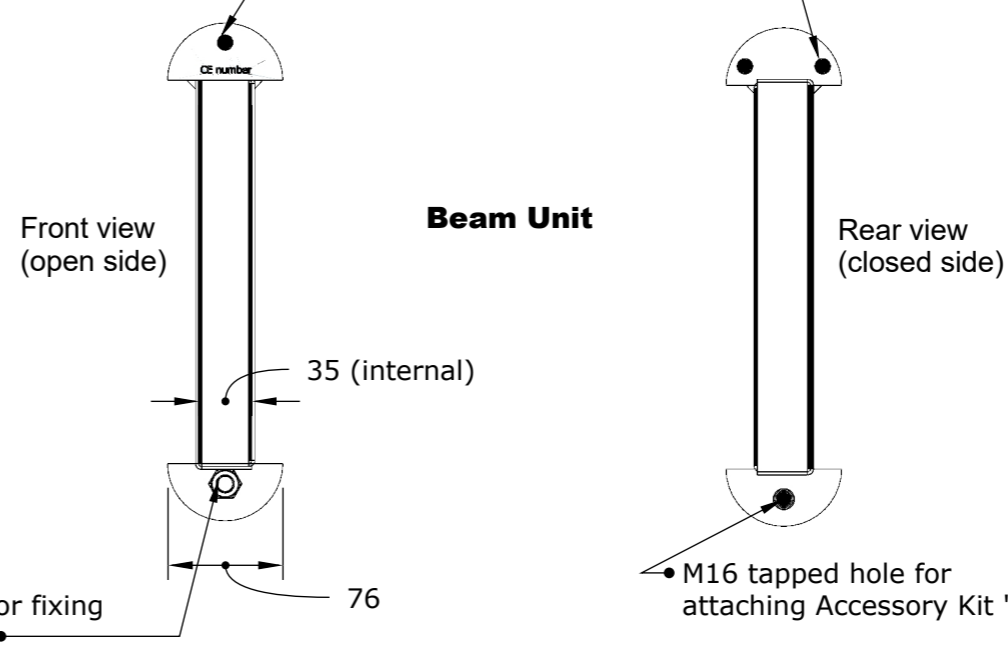
M12 tapped hole for fixing to mould



Column Unit

Rear view (closed side)

2 x M16 tapped holes for attaching Accessory Kit 'D'



Beam Unit

Rear view (closed side)

M16 tapped hole for attaching Accessory Kit 'C'

M12 Nut for fixing to mould

Rev.	Date	Description
02	07/01/19	Accessory Kit References
01	01/10/18	First Issue

ic Invisible connections*
Invisible Connections Ltd
 Unit 6, Thame Forty,
 Jane Morbey Road,
 Thame, Oxfordshire, OX9 3RR
 Tel: +44(0)1844 266000
 Email: sales@invisibleconnections.co.uk
www.invisibleconnections.co.uk

PROJECT	BSF450 Beam to Column Connector
---------	---------------------------------

TITLE	BSF450 Beam to Column
-------	-----------------------

Drawn By	Approved By	Scale
MV	SF	1:5@A3 1:15@A3

DRG No.	Revision
IC/PD/BSF450B2C	02