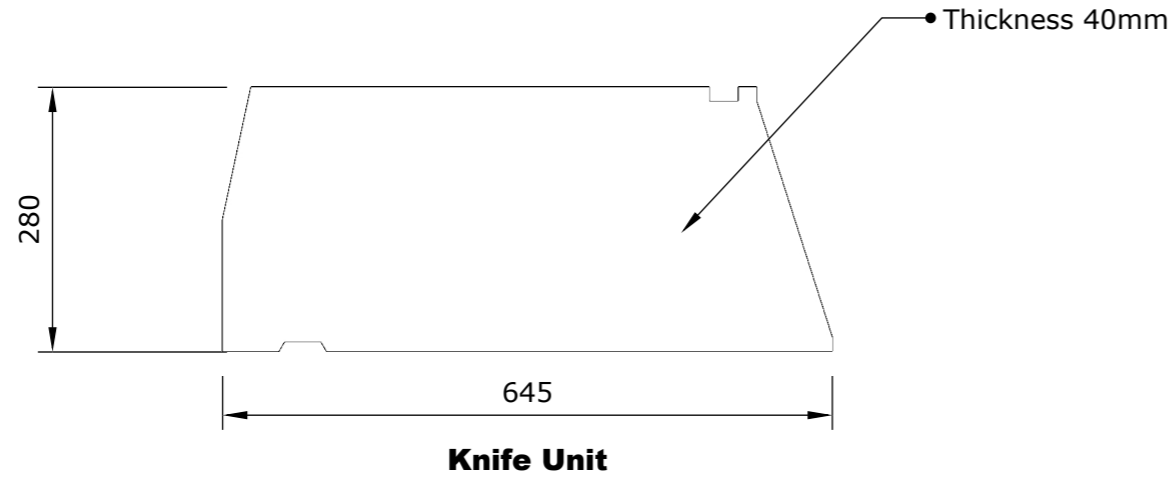


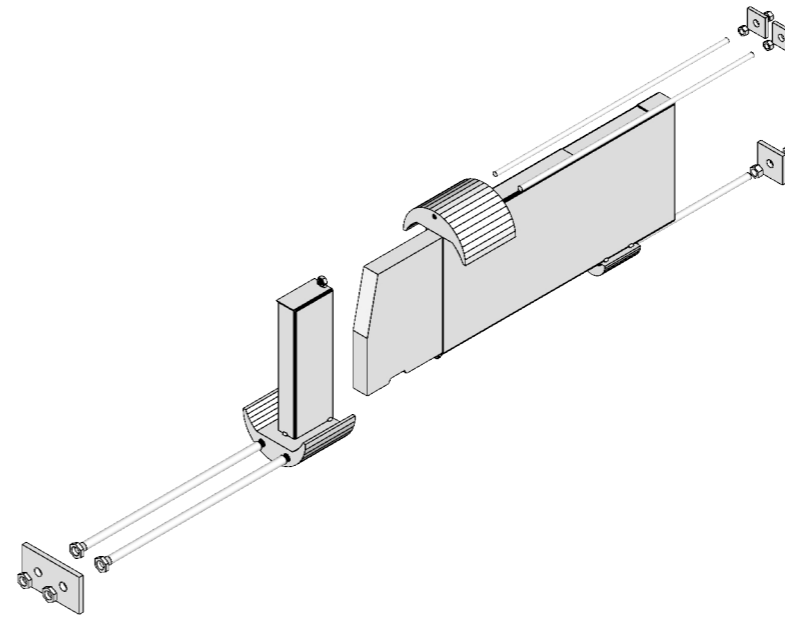
THIS DRAWING IS COPYRIGHT OF INVISIBLE CONNECTIONS LTD AND MUST NOT BE REPRODUCED WITHOUT WRITTEN PERMISSION

NOTES

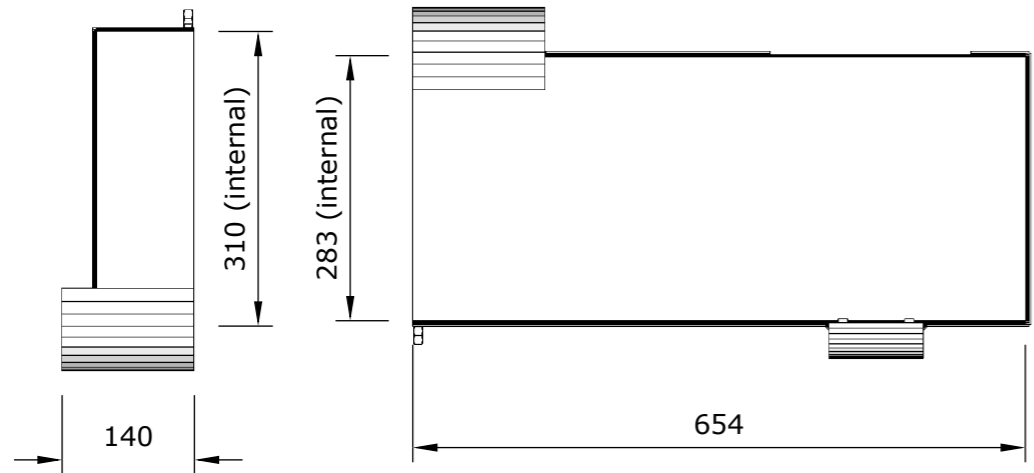
1. Do Not Scale.
2. Vertical capacity of 700kN (ULS).
3. Design beams and reinforcement in accordance with Technical memo 521, 526 and 522d. These are downloadable from [invisibleconnections.co.uk](http://invisibleconnections.co.uk).
4. This product cannot transfer any axial load.
5. Accessory Kits available from Invisible Connections Ltd.  
Kit F is for Beam Unit  
Kit H is for Beam to Beam Unit
6. BSF700 items are colour coded brown.



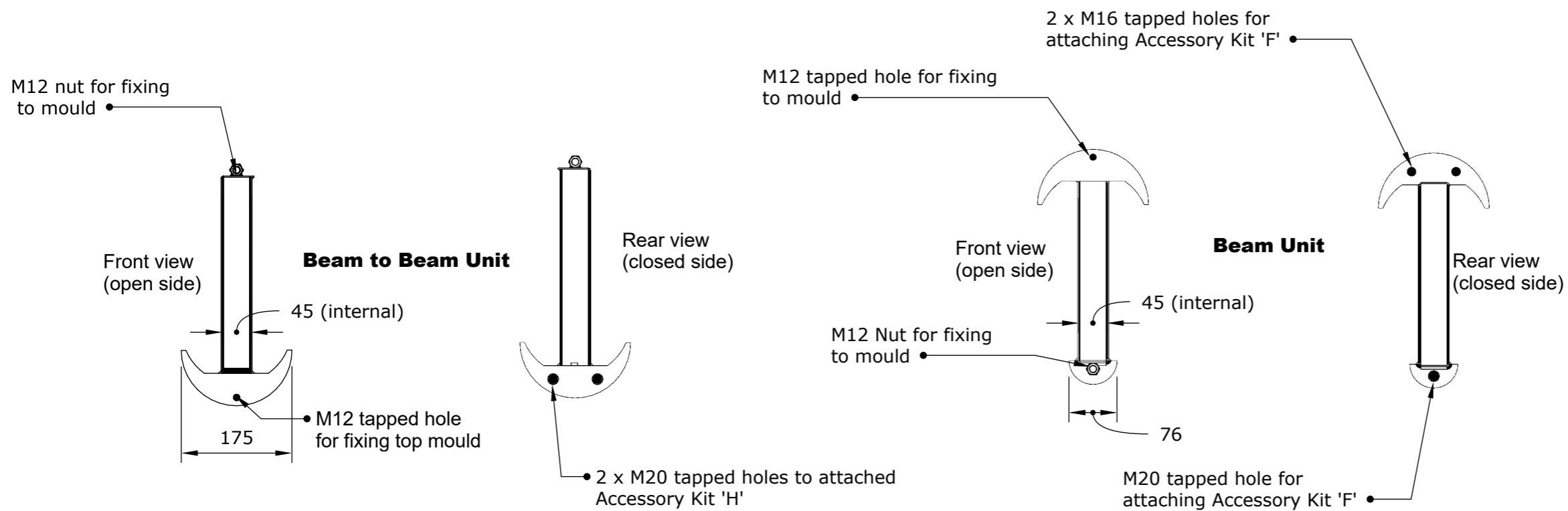
**Accessory Kit 'F'**



**Accessory Kit 'H'**



**Beam to Beam Unit**



Rev.	Date	Description
02	07/01/19	Accessory Kit references
01	01/10/18	First Issue

**ic** Invisible connections\*  
 Invisible Connections Ltd  
 Unit 6, Thame Forty,  
 Jane Morbey Road,  
 Thame, Oxfordshire, OX9 3RR  
 Tel: +44(0)1844 266000  
 Email: [sales@invisibleconnections.co.uk](mailto:sales@invisibleconnections.co.uk)  
[www.invisibleconnections.co.uk](http://www.invisibleconnections.co.uk)

PROJECT  
BSF700 Beam to Beam Connector

TITLE  
BSF700 Beam to Beam

Drawn By <b>MV</b>	Approved By <b>SF</b>	Scale 1:8@A3 1:15@A3
-----------------------	--------------------------	----------------------------

DRG No. IC/PD/BSF700B2B	Revision 02
----------------------------	----------------