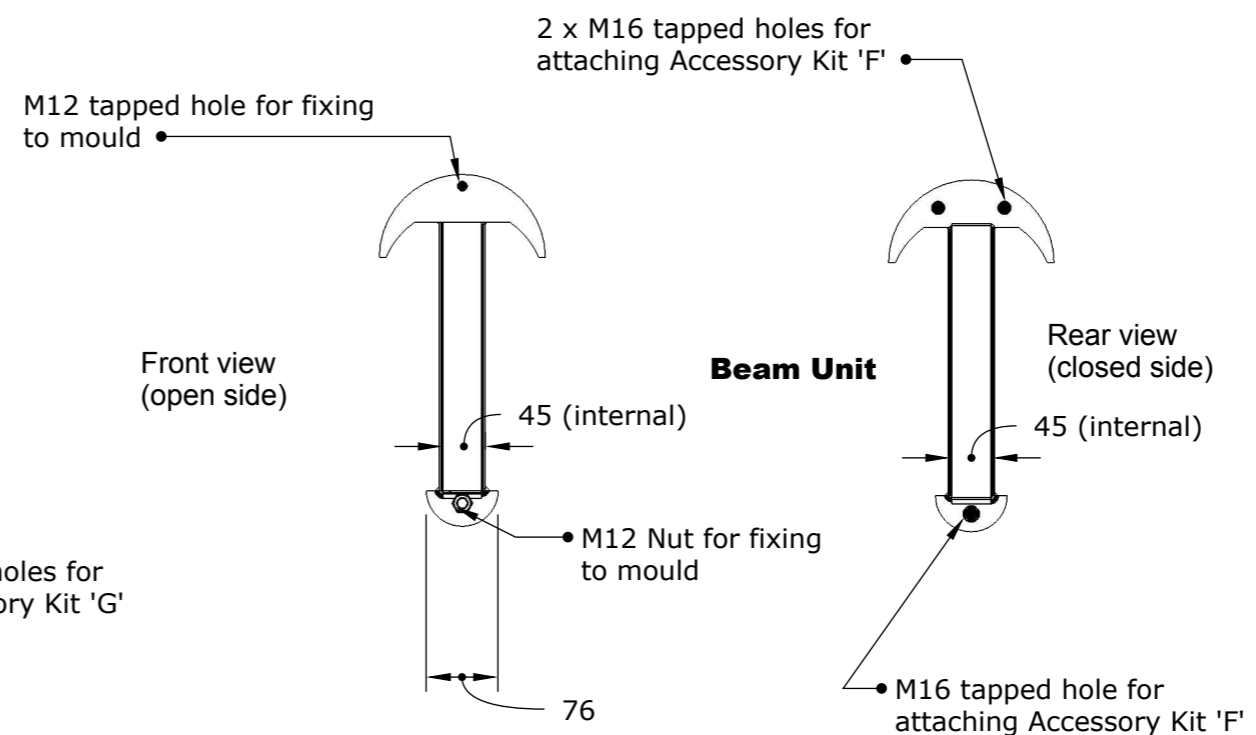
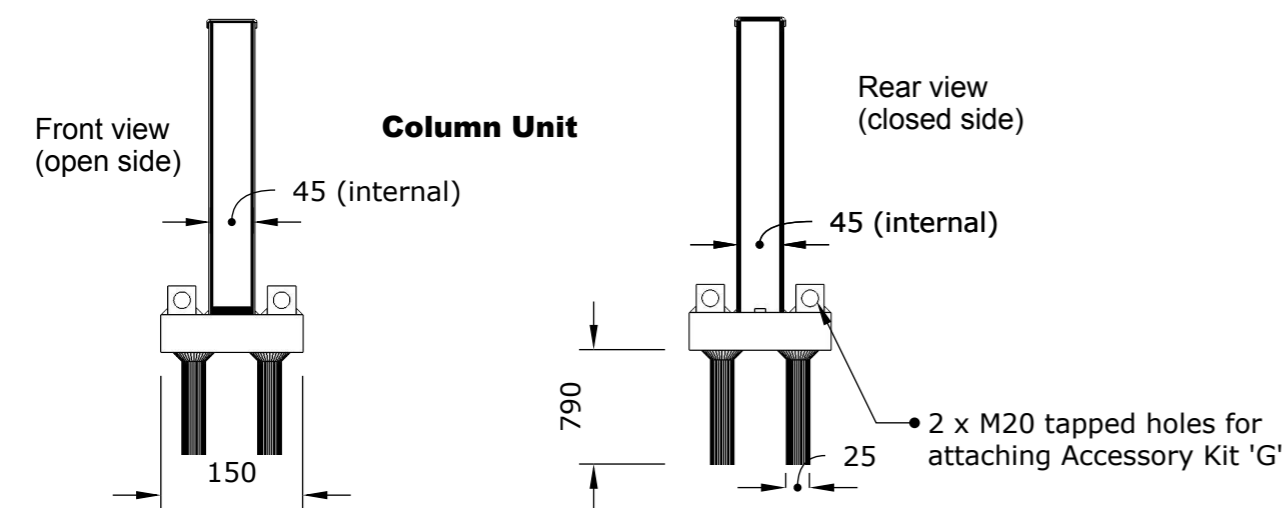
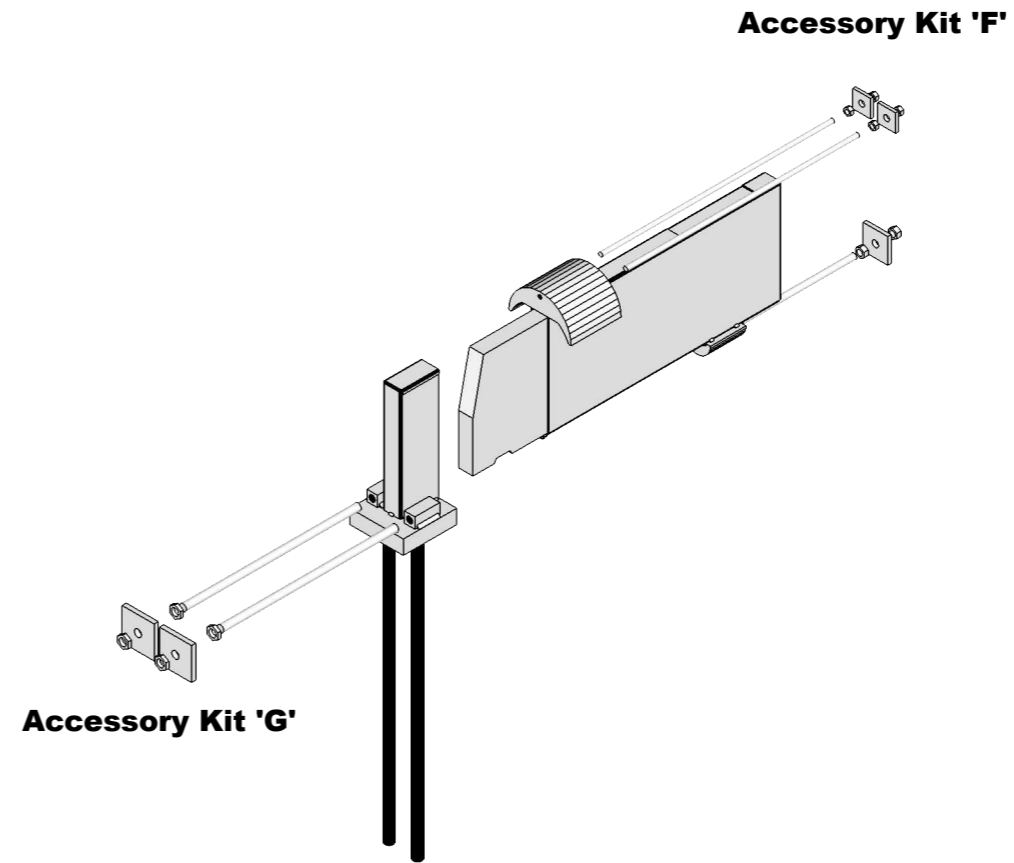
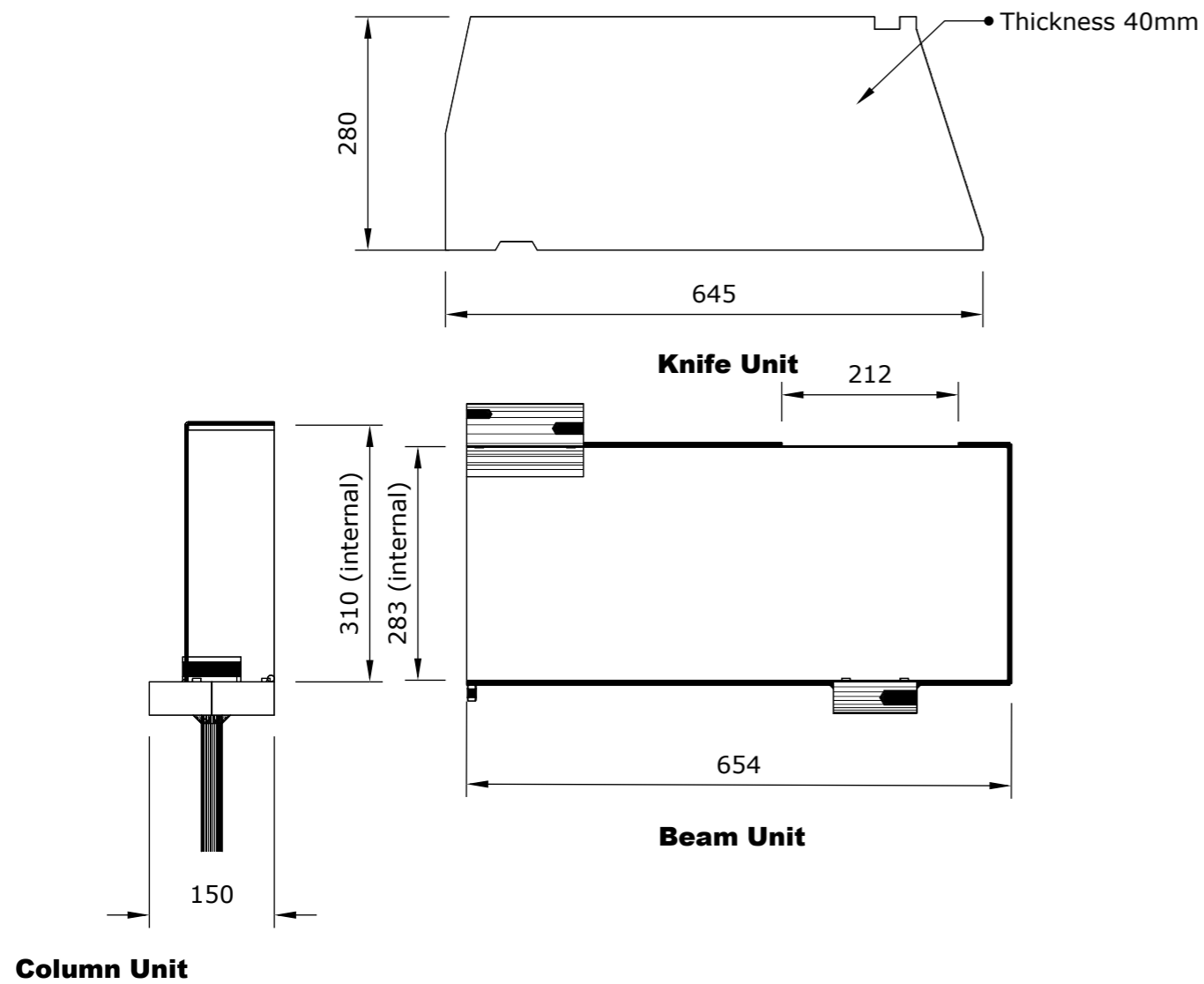


THIS DRAWING IS COPYRIGHT OF INVISIBLE CONNECTIONS LTD AND MUST NOT BE REPRODUCED WITHOUT WRITTEN PERMISSION

NOTES

1. Do Not Scale.
2. Vertical capacity of 700kN (ULS).
3. Design beam and column reinforcement in accordance with Technical memo 521 and 522d. These are downloadable from invisibleconnections.co.uk.
4. This product cannot transfer any axial load.
5. Accessory Kits available from Invisible Connections Ltd.
Kit F is for Beam Unit
Kit G is for Column Unit
6. Where more than 1 column unit is positioned at the same level, 'Bolt2boxes' can be used to secure the column units in place.
7. BSF700 components are colour coded brown.



Rev.	Date	Description
02	07/01/19	Accessory Kit references
01	01/10/18	First Issue

ic Invisible connections*
Invisible Connections Ltd
 Unit 6, Thame Forty,
 Jane Morbey Road,
 Thame, Oxfordshire, OX9 3RR
 Tel: +44(0)1844 266000
 Email: sales@invisibleconnections.co.uk
www.invisibleconnections.co.uk

PROJECT
BSF700 Beam to Column Connector

TITLE
BSF700 Beam to Column

Drawn By MV	Approved By SF	Scale 1:8@A3 1:15@A3
-----------------------	--------------------------	----------------------------

DRG No. IC/PD/BSF700B2C	Revision 02
----------------------------	----------------