



ICL/DTS\_BSF/EF/OPT1BB/01/0719

# Technical Enquiry Form

## BSF Telescopic Connectors

### Beam to beam connection loads up to 1100 kN ULS

Please provide below the contact information, project details, dimensions and load data.

#### Product Range

Telescopic Beam Connectors

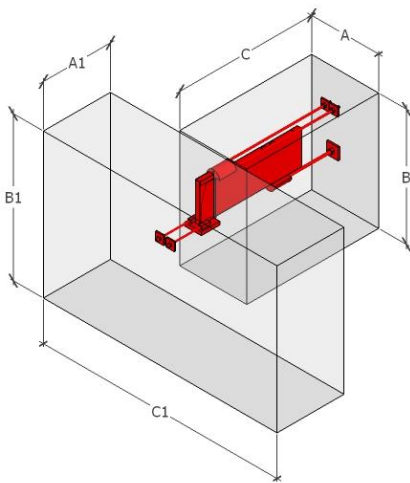
#### Product Options

BSF 225, BSF 300, BSF 450, BSF 700 and BSF 1100 (BBCON)

#### Loading Option

Beam with rectangular cross section into another beam

#### Key to dimensions



#### Contact and project details

Contact name .....

Company .....

Telephone .....

Email .....

Project name .....

Project location .....

Main contractor.....

Precaster .....

Precast element reference .....

Drawing number(s) .....

Casting start date (estimate) .....

Casting end date (estimate).....

#### Dimensions

See A-C and A1-C1 on image to left. Please enter dimensions in mm.

A Beam width .....

B Beam height .....

C Beam length .....

A1 Beam width .....

B1 Beam height .....

C1 Beam length .....

#### Load data

(Example)

Total load through connection ..... (400 kN)

For alternative layouts, go to [invisibleconnections.co.uk](http://invisibleconnections.co.uk) or call us for advice

Using the above information we will conduct an initial assessment of the application and advise suitable product selection, supported by calculations as required.

Please email completed enquiry form and any supporting drawings to [technical@invisibleconnections.co.uk](mailto:technical@invisibleconnections.co.uk)

For technical and practical advice call **+44 (0)1844 266000**

Invisible Connections Ltd  
 Unit 6, Thame Forty  
 Jane Morbey Road  
 Thame, Oxfordshire OX9 3RR  
 +44 (0)1844 266000  
[sales@invisibleconnections.co.uk](mailto:sales@invisibleconnections.co.uk)  
[invisibleconnections.co.uk](http://invisibleconnections.co.uk)