

Technical Enquiry Form

DTS Telescopic Connectors

Double Tee connection loads up to 150 kN ULS

Please provide below the contact information, project details, dimensions and load data.

Product Range

Telescopic Beam
Connectors

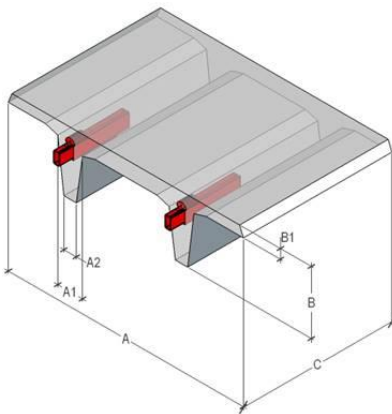
Product Options

DTS 150

Layout Option

Double Tee floor unit

Key to dimensions



For alternative loadings, go to
invisibleconnections.co.uk
or phone us for advice

Invisible Connections Ltd
Unit 6, Thame Forty
Jane Morbey Road
Thame, Oxfordshire OX9 3RR
+44 (0)1844 266000
sales@invisibleconnections.co.uk
invisibleconnections.co.uk

Contact and project details

Contact name

Company

Telephone

Email

Project name

Project location

Main contractor

Precaster

Precast element reference

Drawing number(s)

Casting start date (estimate)

Casting end date (estimate).....

Dimensions

See A-C on image to left. Please enter dimensions in mm.

A Beam width

A1 Wide taper width

A2 Narrow taper width

B Beam height

B1 Floor thickness

C Beam length

Load data

(Example)

Total load through connection (140 kN)

Using the above information we will conduct an initial assessment of the application and advise suitable product selection, supported by calculations as required.

Please email completed enquiry form and any supporting drawings to technical@invisibleconnections.co.uk

For technical and practical advice call +44 (0)1844 266000