



ICL/FB/SF/OTS/01/0820

Scheduling Form

FERBOX® Reinforcement Continuity System Off the Shelf Range



Please complete the quantity column and email to sales@invisibleconnections.co.uk

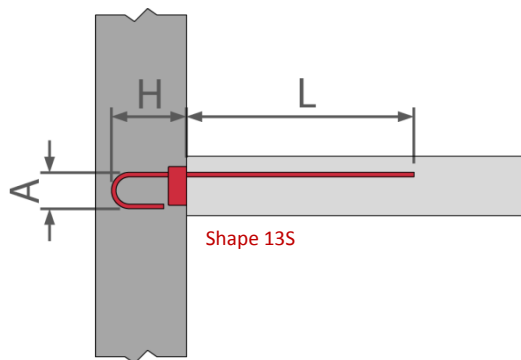
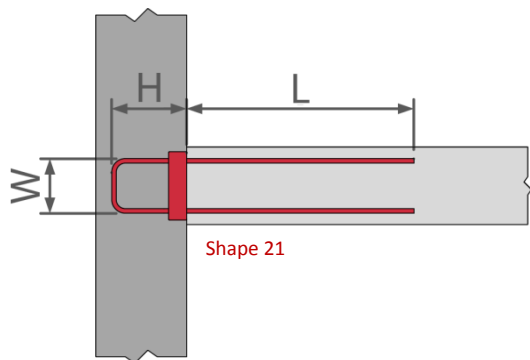
Name Contractor Date

Phone Project Drawing number(s)

Email Site address Schedule reference

Quantity <i>Please enter:</i>	Ordering Reference (abbreviated)	Casing				Reinforcement						Weight per unit (kg)
		Length (metres)	Width (mm)	Depth (mm)	Dimpling style	Type & Diameter	Centres C (mm)	Height H (mm)	Width W (mm)	Lap L (mm)	Hook A (mm)	
	HB14S B12 C150	1.25	145	40	Light	B12	150	170	120	500	-	12.3
	HB14S B12 C200	1.25	145	40	Light	B12	200	170	120	500	-	9.7
	HB16S B12 C150	1.25	165	40	Light	B12	150	170	140	500	-	12.7
	HB16S B12 C200	1.25	165	40	Light	B12	200	170	140	500	-	10.1
	HB18S B12 C150	1.25	185	40	Light	B12	150	170	160	500	-	13.0
	HB18S B12 C200	1.25	185	40	Light	B12	200	170	160	500	-	10.4
	HB20S B12 C150	1.25	205	40	Light	B12	150	170	180	500	-	13.3
	HB20S B12 C200	1.25	205	40	Light	B12	200	170	180	500	-	10.6
	HB22S B12 C150	1.25	225	40	Light	B12	150	170	200	500	-	13.6
	HB22S B12 C200	1.25	225	40	Light	B12	200	170	200	500	-	10.9
	HB9S B12 C150	1.25	85	40	Light	B12	150	170	-	500	100	5.8
	HB9S B12 C200	1.25	85	40	Light	B12	200	170	-	500	100	4.3
	M19D B16 C150	1.20	190	50	Heavy	B16	150	170	170	600	-	23.7
	M19D B16 C200	1.20	190	50	Heavy	B16	200	170	170	650	-	19.5
	M22D B16 C150	1.20	220	50	Heavy	B16	150	170	200	650	-	25.7
	M22D B16 C200	1.20	220	50	Heavy	B16	200	170	200	650	-	20.0
	M24D B16 C150	1.20	240	50	Heavy	B16	150	170	220	650	-	26.1
	M24D B16 C200	1.20	240	50	Heavy	B16	200	170	220	650	-	20.4
	M24S B12 C150	1.20	240	35	Heavy	B12	150	170	220	500	-	13.8
	M24S B12 C200	1.20	240	35	Heavy	B12	200	170	220	500	-	11.2
	M11D B16 C150	1.20	110	50	Heavy	B16	150	170	-	650	130	14.1
	M11D B16 C200	1.20	110	50	Heavy	B16	200	170	-	650	130	11.1

Off the shelf shapes



Key:
 First pour
 Second pour

Don't see what you need?

If you don't see what you need in the above table, 'specials' are routinely manufactured to order.

'Choose Ferbox by application' at invisibleconnections.co.uk/products/ferbox

or email us sales@invisibleconnections.co.uk to receive the appropriate scheduling form.

Please email completed scheduling form to sales@invisibleconnections.co.uk

For technical and practical advice call +44 (0)1844 266000