



ICL/FB/SF/SPECIAL11/01/0820

# Scheduling Form

## FERBOX® Reinforcement Continuity System Specials Shape 11 Range

Please complete this form and email to [sales@invisibleconnections.co.uk](mailto:sales@invisibleconnections.co.uk)



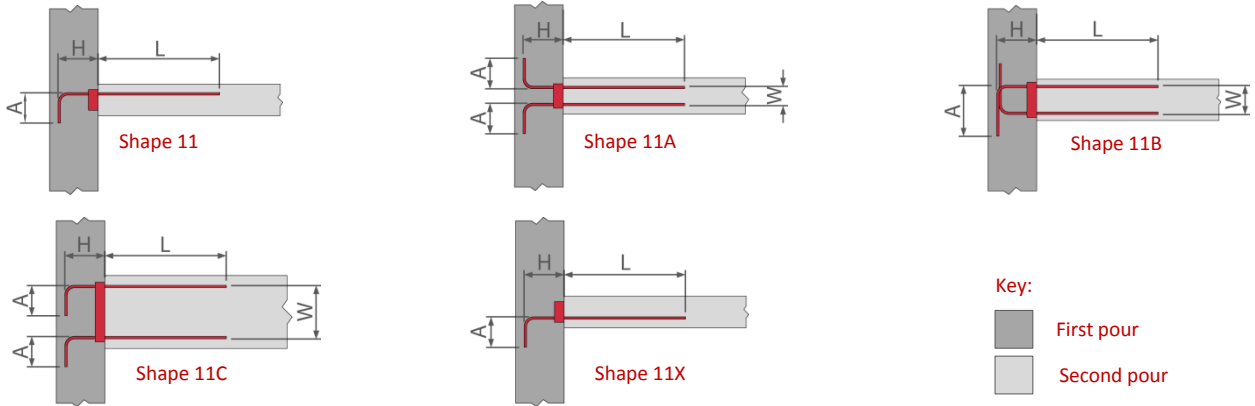
Name ..... Contractor ..... Date .....

Phone ..... Project ..... Drawing number(s) .....

Email ..... Site address ..... Schedule reference .....

Note	1	2	3	4	5	6	7	8	9	10	11	12	13	14	15	16
Line Ref.	Bar Shape	Bar Mark	Qty of Mbrs	Qty Bars Per Mbr	Qty Bars Total	Bar Type & Dia.	Bar Centres	H	W	L	A	---	Preferred Casings (optional)			Labelling Requirements
								Height	Width	Lap	Bob	---	Qty	Length	Qty Bars	
e.g.	11C	104	2	26 pairs	52 pairs	B12	150	250	200	600	200	---	ONLY USE IF COLUMNS 3, 4 & 5 NOT USED			As required
A												---				
B												---				
C												---				
D												---				
E												---				
F												---				

### Shape 11 variants



### Supporting notes (corresponding to numbers above each column heading)

1. As per Ferbox bar shapes (e.g. Shape 00A)	5. Extended quantity of bars	9. Overall bar width (for relevant bar shapes)	13, 14 and 15. From bar quantity information (column 4) and bar centres/lap information (columns 7 and 10) we will calculate optimum casing quantity and dimensions. Alternatively, state your own preferences (columns 13,14 and 15) for our practicality review.
2. Optionally state bar mark as per drawing	6. Ductility class (normally 'B') followed by bar diameter	10. The pull-out lap length (housed inside casing)	
3. Number of concrete members (not cases!)	7. Bar centres/spacings along length of joint	11. Ninety degree bobbed-leg (for relevant shapes)	
4. If 'paired' bar shapes, 'qty' means quantity of pairs	8. Depth of anchorage into first concrete pour	12. Definition varies according to bar shape (rarely used)	16. Suggest keep labelling concise for easy recognition on site

*Special Note Regarding Mandrel Diameters: In all cases, the bends which are to be rebent on site, unless otherwise instructed, will be formed using 6 x bar Ø (minimum) mandrels in accordance with established mechanical performance testing and safe practice. Unless otherwise instructed, the anchorage bends (i.e. those embedded in the first concrete element and not rebent) will be formed using 4 x bar Ø (minimum) mandrels as required by EC2 clause 8.3 (and its effective cross-reference to the local UK bending standard BS8666) to avoid damage to the reinforcement. Regarding the performance requirements of anchorage bends, EC2 clauses 8.3 and 8.4 (particularly bond and bearing stress) should be considered by the structural engineer, to determine whether a larger mandrel diameter should be specified to avoid damage to the concrete within the bends (6 x bar Ø is the normal practical limit).*

With 19 different shape options in 5 shape families, there is a Scheduling Form for each family.  
For technical and practical advice call **+44 (0)1844 266000**