

# Technical Enquiry Form

## Telescopic Stair Landing Connectors

### Layout Option 1

Please provide below the contact information, project details, dimensions and load data.

**Product range**

Telescopic Stair Landing Connectors

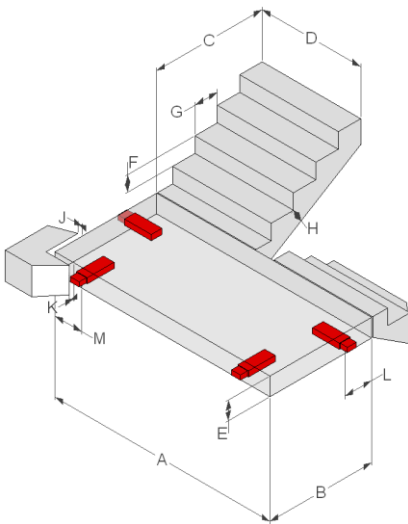
**Product options**

TSS 41, TSS 101, TSS 102, RVK 101 plus REDiBOX® Permanent Recess Former (STD)

**Layout option 1**

Landing with connectors on three sides

**Key to dimensions**



For alternative layouts, go to [invisibleconnections.co.uk](http://invisibleconnections.co.uk) or call us for advice

**Contact and project details**

Contact name .....

Company .....

Telephone .....

Email .....

Project name .....

Project location .....

Main contractor .....

Precaster .....

Stair core reference .....

Drawing number(s) .....

Walls start date (estimate) .....

Stairs start date (estimate) .....

**Dimensions**

See A-M on image to left. Please enter dimensions in mm.

A Landing length ..... G Going .....

B Landing width ..... H Waist .....

C Flight length ..... J Air gap (sides) .....

D Flight width ..... K Air gap (rear) .....

E Landing thickness ..... L Connector position .....

F Rise ..... M Connector position .....

**Load data**

*(Examples)*

Finishes on landing ..... *(0.5 kN/sqm)*

Finishes on flight ..... *(0.2 kN/sqm)*

Live load ..... *(4 kN/sqm)*

Using the above information we will conduct an initial assessment of the application and advise suitable product selection, supported by calculations as required.

Please email completed enquiry form and any supporting drawings to [technical@invisibleconnections.co.uk](mailto:technical@invisibleconnections.co.uk)

For technical and practical advice call **+44 (0)1844 266000**