

Technical Enquiry Form

Telescopic Stair Landing Connectors

Layout Option 3

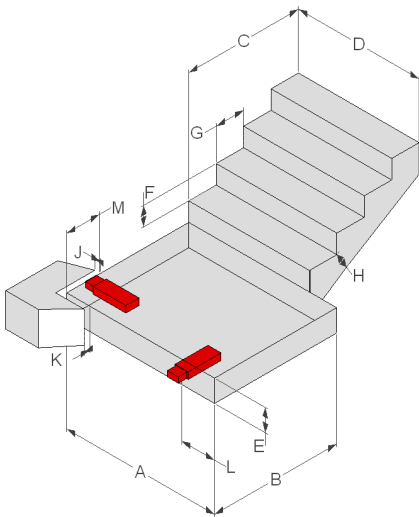
Please provide below the contact information, project details, dimensions and load data.

Product range
Telescopic Stair
Landing Connectors

Product options
TSS 41, TSS 60P, TSS 101,
TSS 102, RVK 60P, RVK 101
plus REDiBOX® Permanent
Recess Former (STD)

Layout option 3
Integral flight and landing
with connectors on
side and end

Key to dimensions



For alternative layouts, go to invisibleconnections.co.uk or call us for advice

Contact and project details

Contact name

Company

Telephone

Email

Project name

Project location

Main contractor

Precaster

Stair core reference

Drawing number(s)

Walls start date (estimate)

Stairs start date (estimate)

Dimensions

See A-M on image to left. Please enter dimensions in mm.

A Landing length G Going

B Landing width H Waist

C Flight length J Air gap (sides)

D Flight width K Air gap (rear)

E Landing thickness L Connector position

F Rise M Connector position

Load data

(Examples)

Finishes on landing *(0.5 kN/sqm)*

Finishes on flight *(0.2 kN/sqm)*

Live load *(4 kN/sqm)*

Using the above information we will conduct an initial assessment of the application and advise suitable product selection, supported by calculations as required.

Please email completed enquiry form and any supporting drawings to technical@invisibleconnections.co.uk

For technical and practical advice call +44 (0)1844 266000